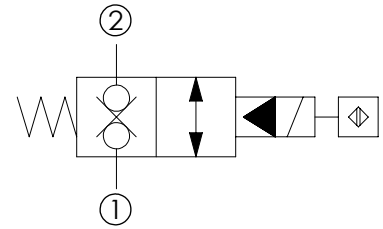
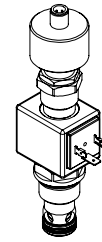
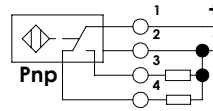
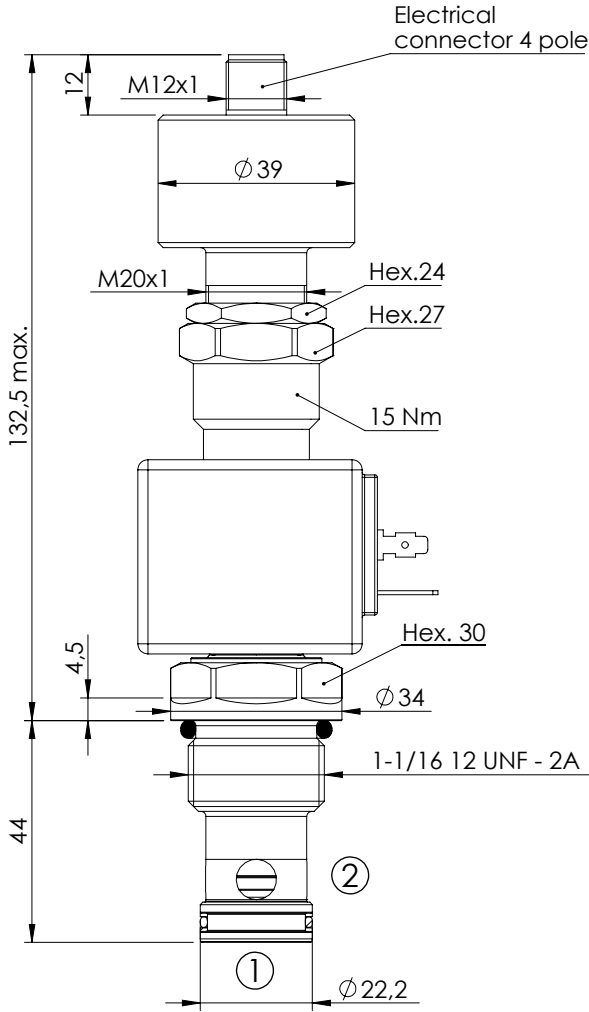


SOLENOID OPERATED CARTRIDGE

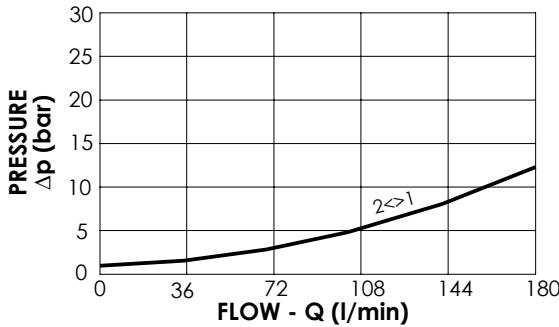
CEBN-180-NCFN

**POPPET TYPE
PROXIMITY SENSOR**



SPECIFICATIONS

Max. operating pressure:	350 bar
Rated flow:	180 l/min
Cavity:	SAE-12-2N
Weight:	0,6 kg
Coil type:	M7 type
Operating temperature:	-25/+80°C



NOTES 135 - 150 Nm

Installation torque:	
Seal kit:	RB100083

ORDERING CODES

Quick code	Description	Connector	Voltage	Options
CE001102	CEBN-180-NCFN-120-S12-V350-12HR	DIN 43650	12V DC	Proximity sensor
CE001103	CEBN-180-NCFN-120-S12-V350-24HR	DIN 43650	24V DC	Proximity sensor