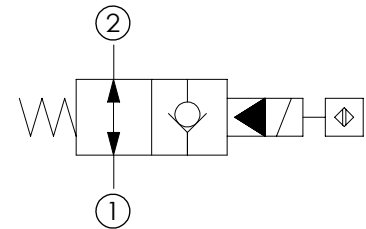
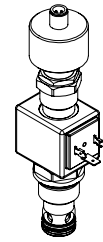
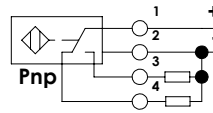
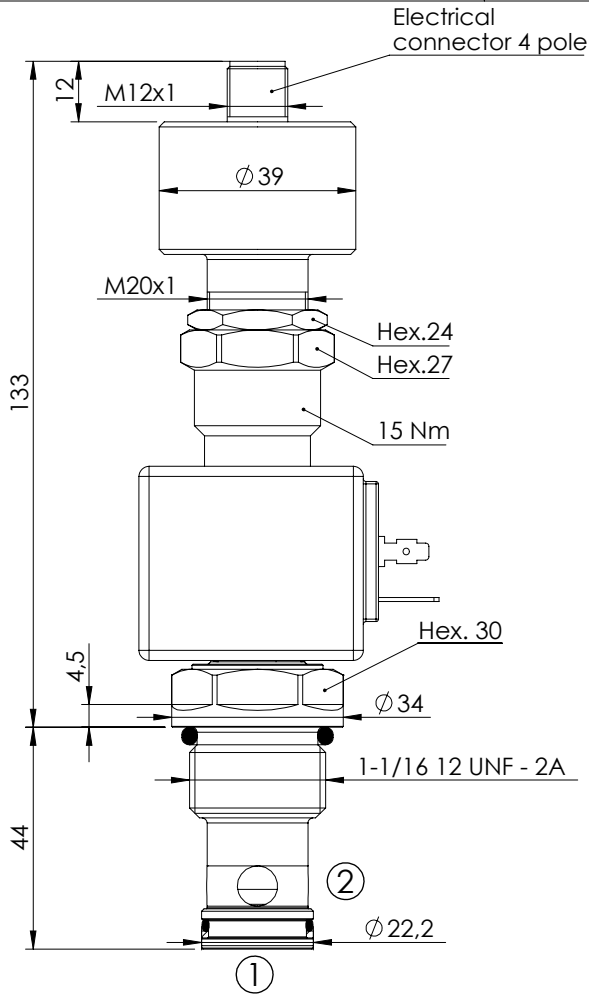


SOLENOID OPERATED CARTRIDGE

CEBN-180-NAFN

**POPPET TYPE
PROXIMITY SENSOR**

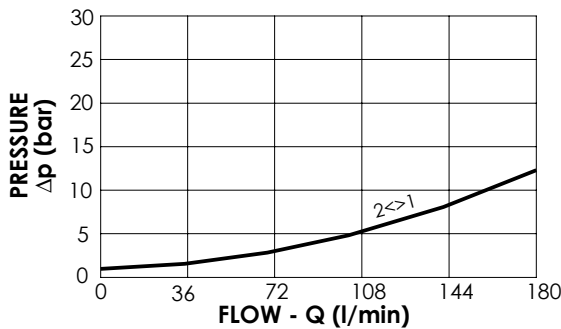


SPECIFICATIONS

Max. operating pressure:	350 bar
Rated flow:	180 l/min
Cavity:	SAE-12-2N
Weight:	0,6 kg
Coil type:	M7 type
Operating temperature:	-25/+80°C

NOTES

Installation torque:	135 - 150 Nm
Seal kit:	RA100083



ORDERING CODES

Quick code	Description	Connector	Voltage	Options
CE001096	CEBN-180-NAFN-101-S12-V350-12HR	DIN 43650	12V DC	Proximity sensor
CE001097	CEBN-180-NAFN-101-S12-V350-24HR	DIN 43650	24V DC	Proximity sensor