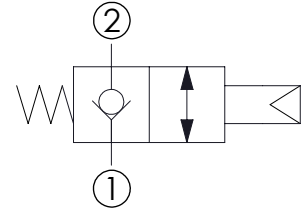
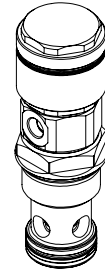
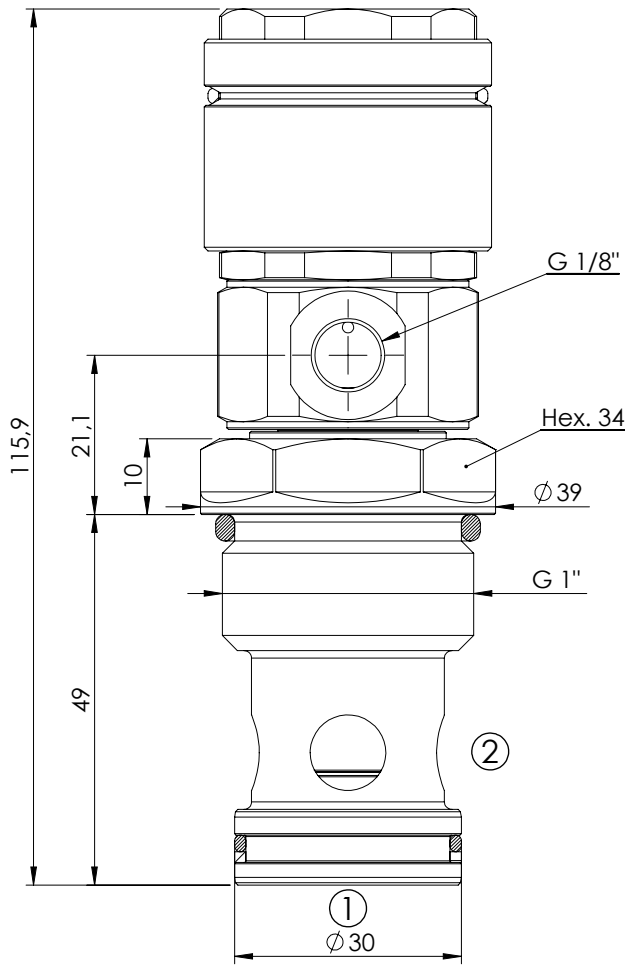


SOLENOID OPERATED CARTRIDGE

CEBN-200-NCAN

**PNEUMATIC OPERATED
POPPET TYPE**

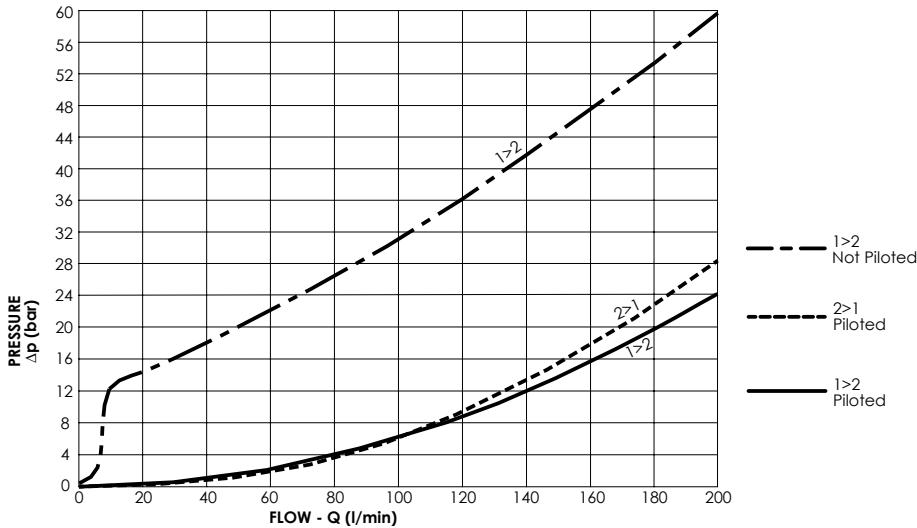


SPECIFICATIONS

Max. operating pressure:	350 bar
Rated flow:	200 l/min
Cavity:	VP000013
Weight:	0,52 kg
Seal kit:	RA900013

NOTES

Installation torque: 135 - 150 Nm



ORDERING CODES

Quick code	Description	Pneumatic pilot pressure (bar)	
		Min. 4	Max. 10
CE000883	CEBN-200-NCAN-123-013-N350	Min. 4	Max. 10