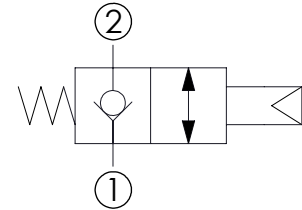
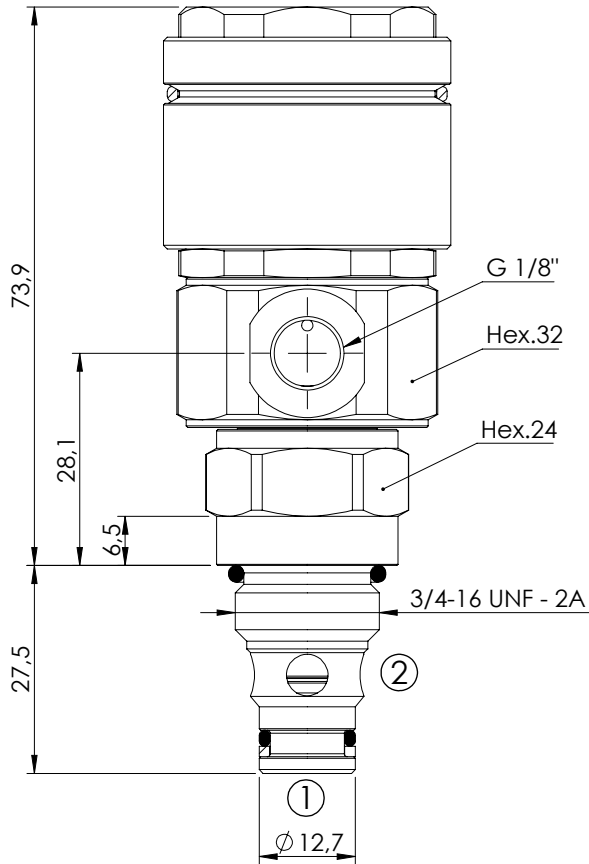
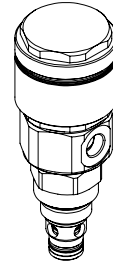


SOLENOID OPERATED CARTRIDGE

CEBN-040-NCAN

**PNEUMATIC OPERATED
POPPET TYPE**

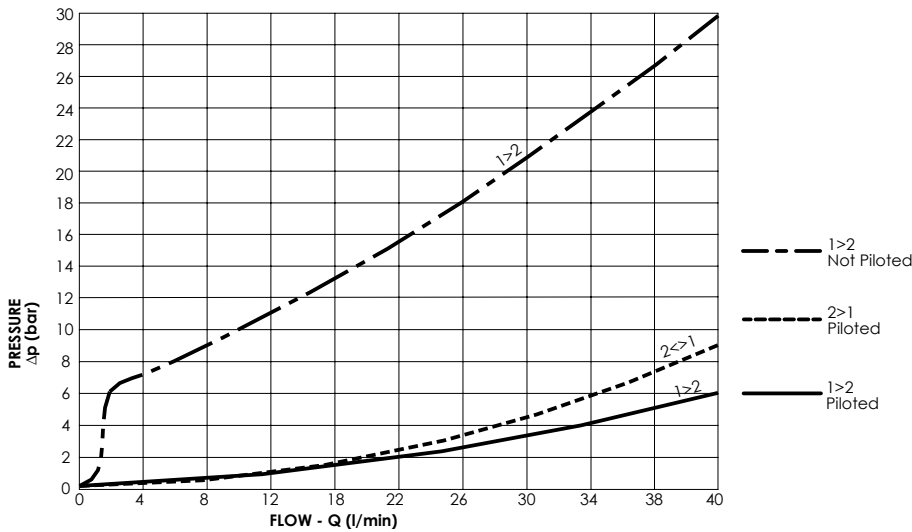


SPECIFICATIONS

Max. operating pressure:	350 bar
Rated flow:	40 l/min
Cavity:	SAE-08-2N
Weight:	0,31 kg
Seal kit:	RA900081

NOTES

Installation torque: **45 - 50 Nm**



ORDERING CODES

Quick code	Description	Pneumatic pilot pressure (bar)	
		Min. 4	Max. 10
CE000961	CEBN-040-NCAN-123-S08-N350		