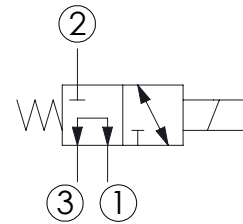
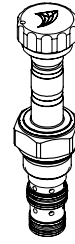
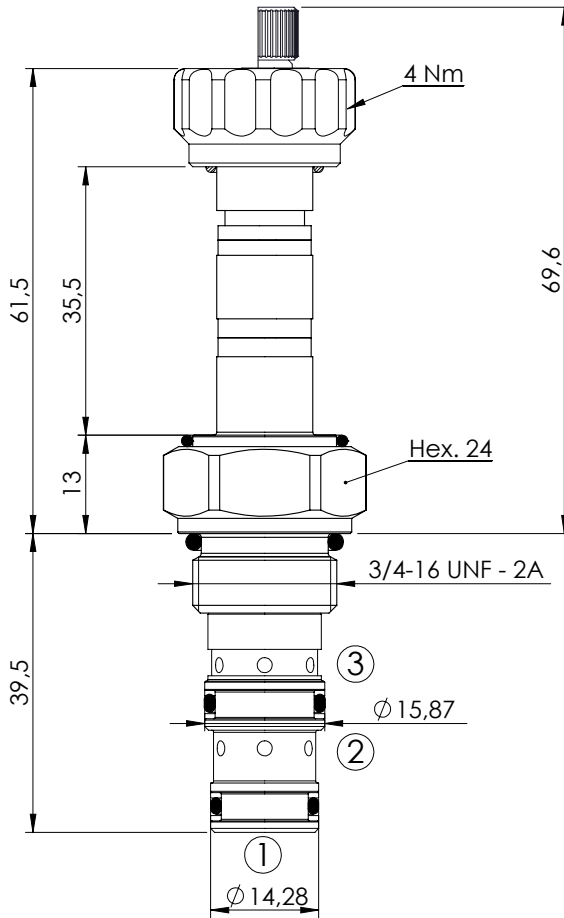


SOLENOID OPERATED CARTRIDGE

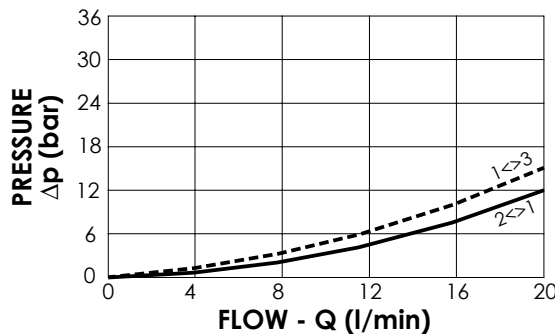
CECS-020-SEFN

**DIRECT OPERATED
SPOOL TYPE**



SPECIFICATIONS

Max. operating pressure:	210 bar
Rated flow:	20 l/min
Cavity:	SAE-08-3N
Weight:	0,13 kg
Min. voltage required:	90% of nominal
Coil type:	M7
Leakage:	120cm ³ /min
Seal kit:	RB700091



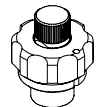
NOTES

Installation torque: 45 - 50 Nm

OPTIONS



Standard



Knob style
override

ORDERING CODES

Quick code	Description	Options	
CE000181	CECS-020-SEFN-63-S08-N210	Standard	
CE000182	CECS-020-SEFE-63-S08-N210	Knob style override	