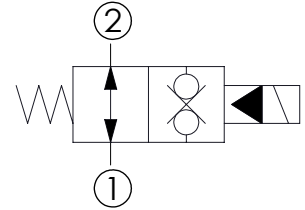
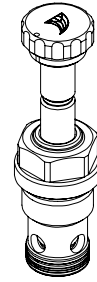
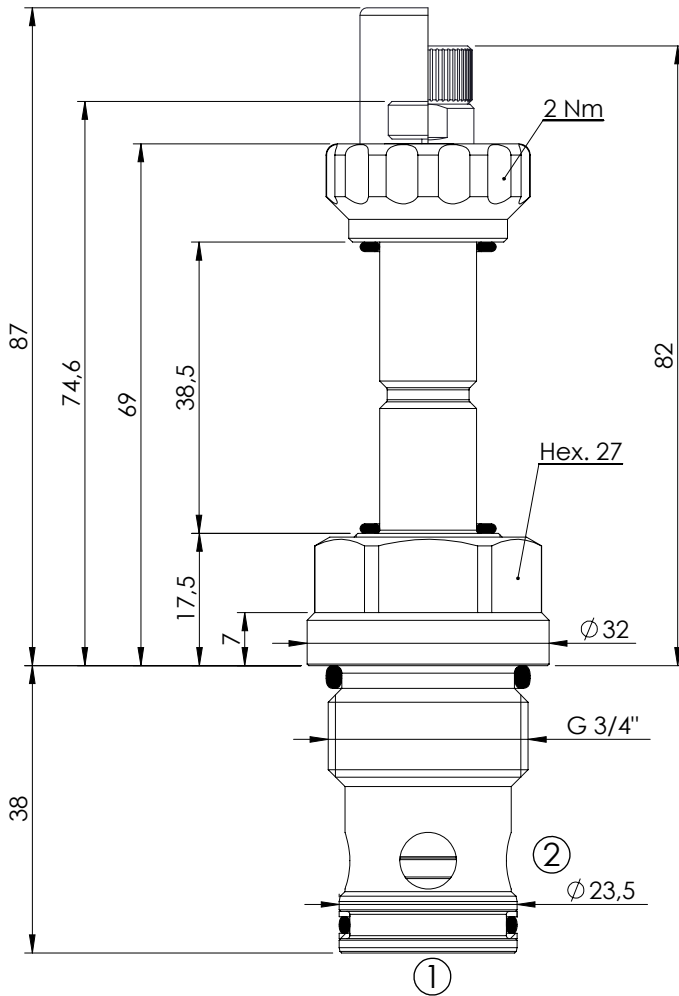


SOLENOID OPERATED CARTRIDGE

CEBN-100-NAFN

**PILOT OPERATED
POPPET TYPE**

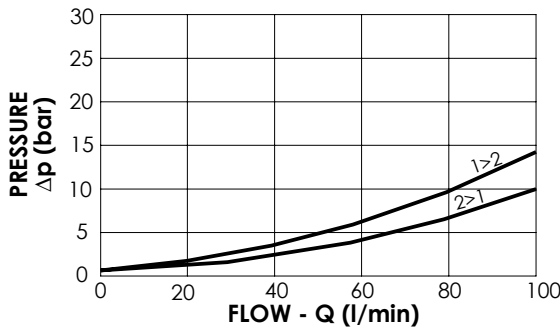


SPECIFICATIONS

Max. operating pressure:	350/500 bar
Rated flow:	100 l/min
Cavity:	VP000057
Weight:	0,25 kg
Min. voltage required:	90% of nominal
Coil type:	M7 type
Seal kit:	RD900057

NOTES

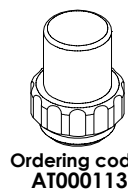
Installation torque: 110 - 130 Nm



OPTIONS

- Standard
- Push style override
- Knob style override

SEALING CAP



ORDERING CODES

Quick code	Description	Options	Max operating pressure (bar)
CE000312	CEBN-100-NAFN-32-057-N350	Standard	350
CE000313	CEBN-100-NAFP-32-057-N350	Push style override	350
CE000314	CEBN-100-NAFK-32-057-N350	Knob style override	350
CE000612	CEBN-100-NAFN-32-057-N500	Standard	500
CE000613	CEBN-100-NAFP-32-057-N500	Push style override	500
CE000614	CEBN-100-NAFK-32-057-N500	Knob style override	500