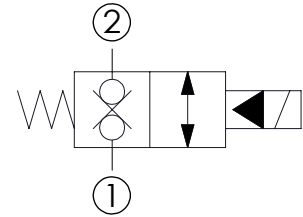
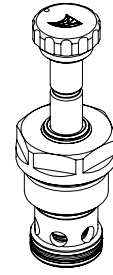
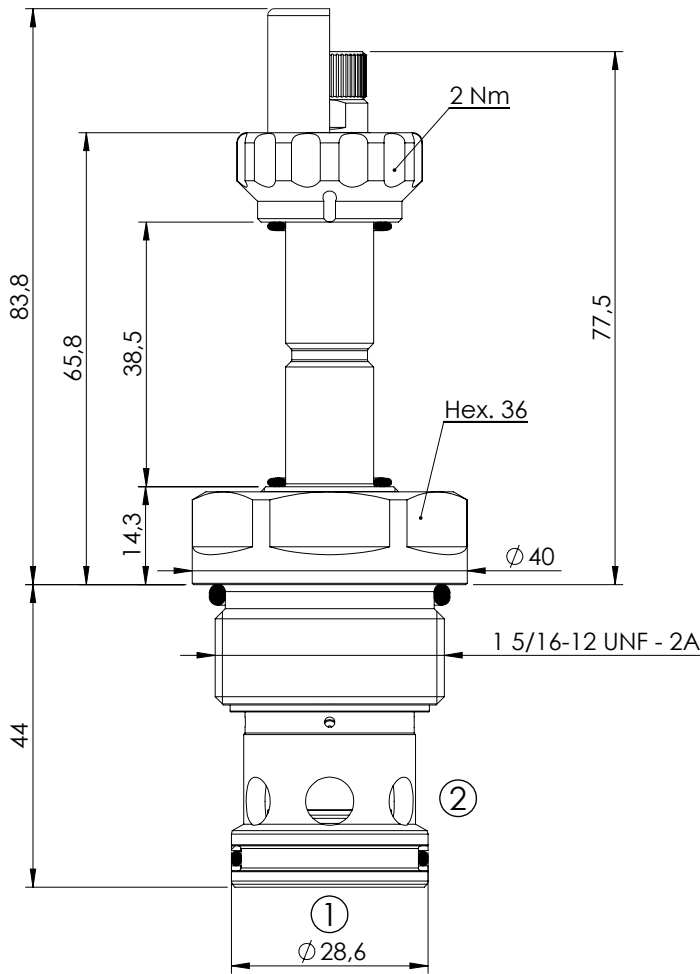


SOLENOID OPERATED CARTRIDGE

CEBN-300-NCFN

**PILOT OPERATED
POPPET TYPE**



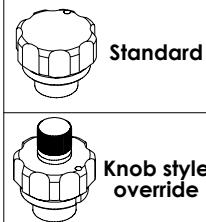
SPECIFICATIONS

Max. operating pressure:	350/500 bar
Rated flow:	300 l/min
Cavity:	SAE-16-2N
Weight:	0,36 kg
Min. voltage required:	90% of nominal
Coil type:	M7 type
Seal kit:	RB900084

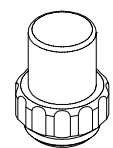
NOTES

Installation torque: 118 - 132 Nm

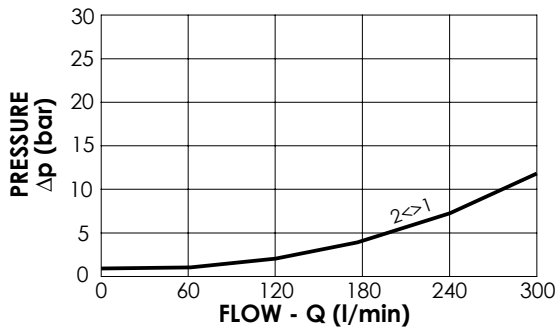
OPTIONS



SEALING CAP



Ordering code: AT000113



ORDERING CODES

Quick code	Description	Options	Max operating pressure (bar)
CE000401	CEBN-300-NCFN-31-S16-N350	Standard	350
CE000403	CEBN-300-NCFK-31-S16-N350	Knob style override	350
CE000701	CEBN-300-NCFN-31-S16-N500	Standard	500
CE000703	CEBN-300-NCFK-31-S16-N500	Knob style override	500