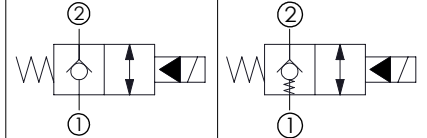
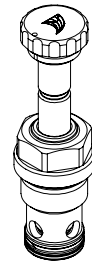
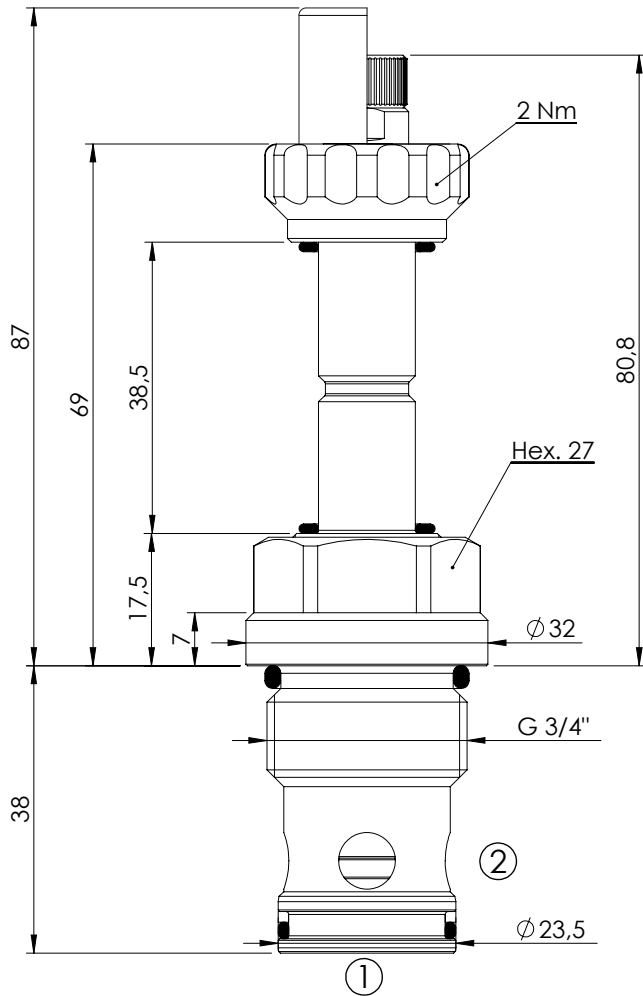


SOLENOID OPERATED CARTRIDGE

CEBN-100-NCFN

**PILOT OPERATED
POPPET TYPE**



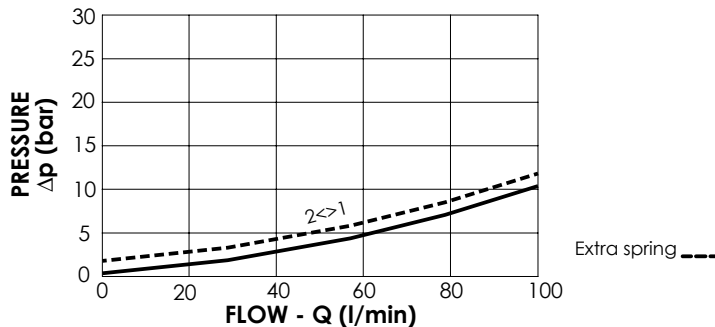
With extra spring

SPECIFICATIONS

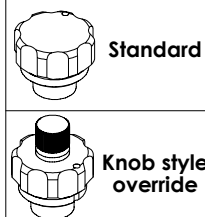
Max. operating pressure:	350/500 bar
Rated flow:	100 l/min
Cavity:	VP000057
Weight:	0,25 kg
Min. voltage required:	90% of nominal
Coil type:	M7 type
Seal kit:	RC900057

NOTES

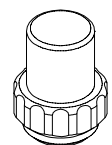
Installation torque: 110 - 130 Nm



OPTIONS



SEALING CAP



Ordering code:
AT000113

ORDERING CODES

Quick code	Description	Options	Max operating pressure (bar)	Extra Spring
CE000284	CEBN-100-NCFN-03-057-N350	Standard	350	No
CE000286	CEBN-100-NCFK-03-057-N350	Knob style override	350	No
CE000584	CEBN-100-NCFN-03-057-N500	Standard	500	No
CE000586	CEBN-100-NCFK-03-057-N500	Knob style override	500	No
CE000585	CEBN-100-XCFN-03-057-N500	Standard	500	Yes
CE000587	CEBN-100-XCFK-03-057-N500	Knob style override	500	Yes