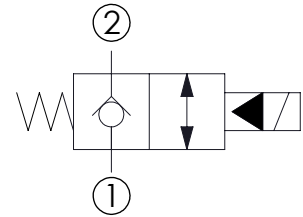
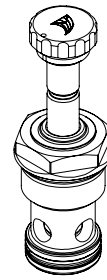
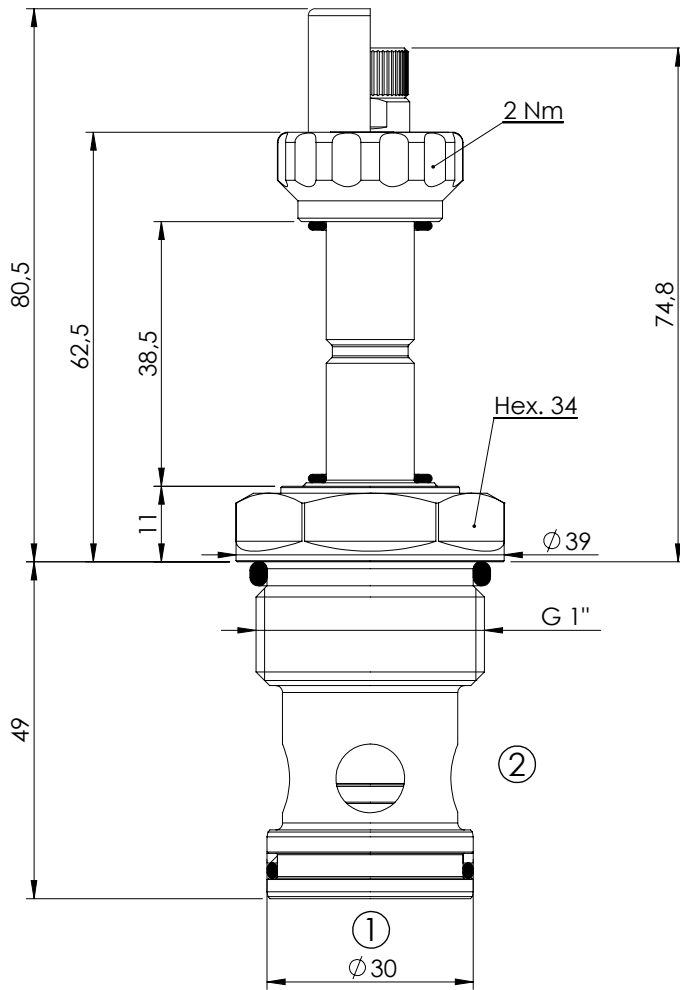


SOLENOID OPERATED CARTRIDGE

CEBN-200-NCFN

**PILOT OPERATED
POPPET TYPE**

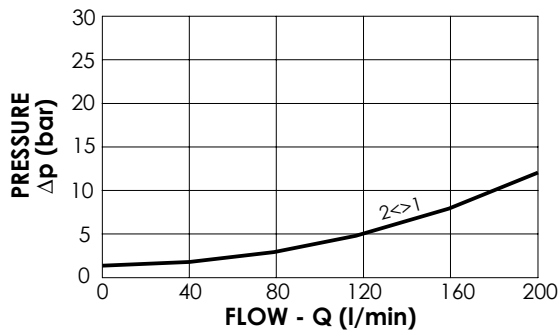


SPECIFICATIONS

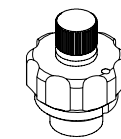
Max. operating pressure:	350 bar
Rated flow:	200 l/min
Cavity:	VP000013
Weight:	0,35 kg
Min. voltage required:	90% of nominal
Coil type:	M7 type
Seal kit:	RC900013

NOTES

Installation torque: 135 - 150 Nm

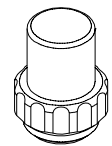


OPTIONS



Knob style
override

SEALING CAP



Ordering code:
AT000113

ORDERING CODES

Quick code	Description	Options	Max operating pressure (bar)	
CE000354	CEBN-200-NCFN-03-013-N350	Standard	350	
CE000356	CEBN-200-NCFK-03-013-N350	Knob style override	350	
CE000654	CEBN-200-NCFN-03-013-N500	Standard	500	
CE000656	CEBN-200-NCFK-03-013-N500	Knob style override	500	