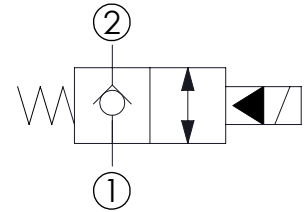
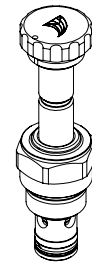
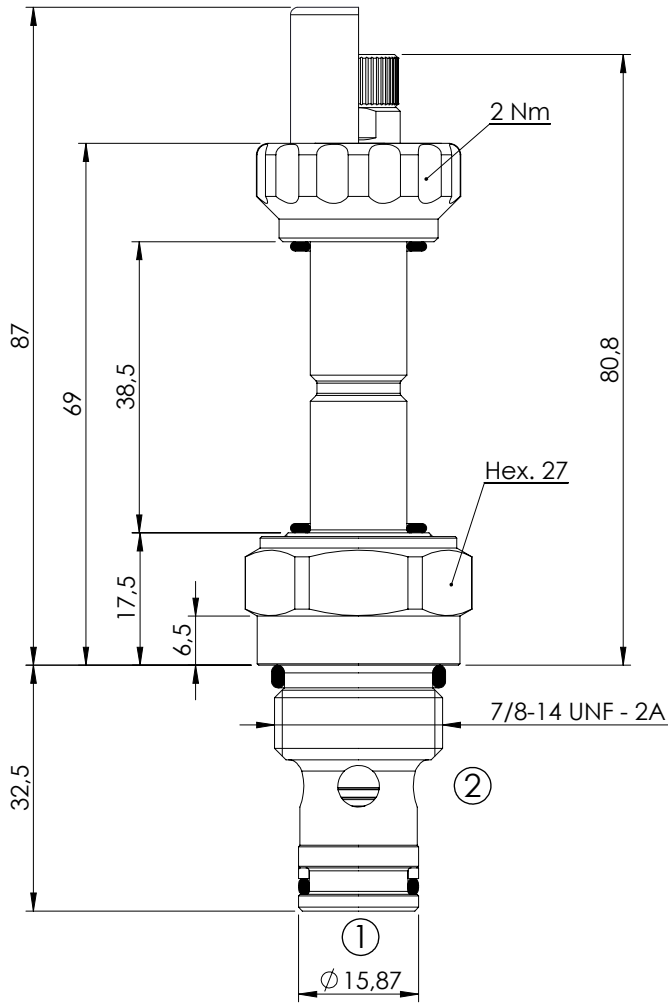


SOLENOID OPERATED CARTRIDGE

CEBN-070-NCFN

**PILOT OPERATED
POPPET TYPE**

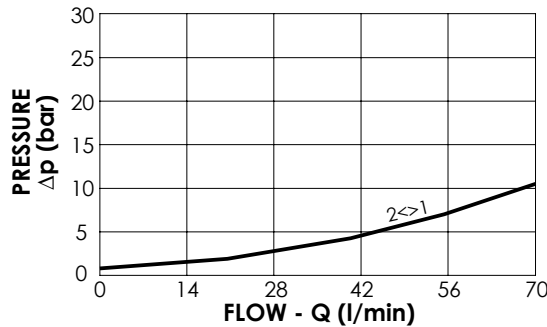


SPECIFICATIONS

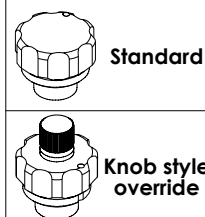
Max. operating pressure:	350/500 bar
Rated flow:	70 l/min
Cavity:	SAE-10-2N
Weight:	0,18 kg
Min. voltage required:	90% of nominal
Coil type:	M7 type
Seal kit:	RA900082

NOTES

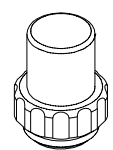
Installation torque: 55 - 62 Nm



OPTIONS



SEALING CAP



Ordering code:
AT000113

ORDERING CODES

Quick code	Description	Options	Max operating pressure (bar)
CE000249	CEBN-070-NCFN-03-S10-N350	Standard	350
CE000251	CEBN-070-NCFK-03-S10-N350	Knob style override	350
CE000549	CEBN-070-NCFN-03-S10-N500	Standard	500
CE000551	CEBN-070-NCFK-03-S10-N500	Knob style override	500