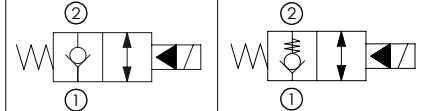
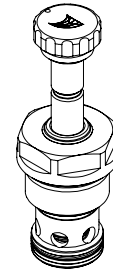
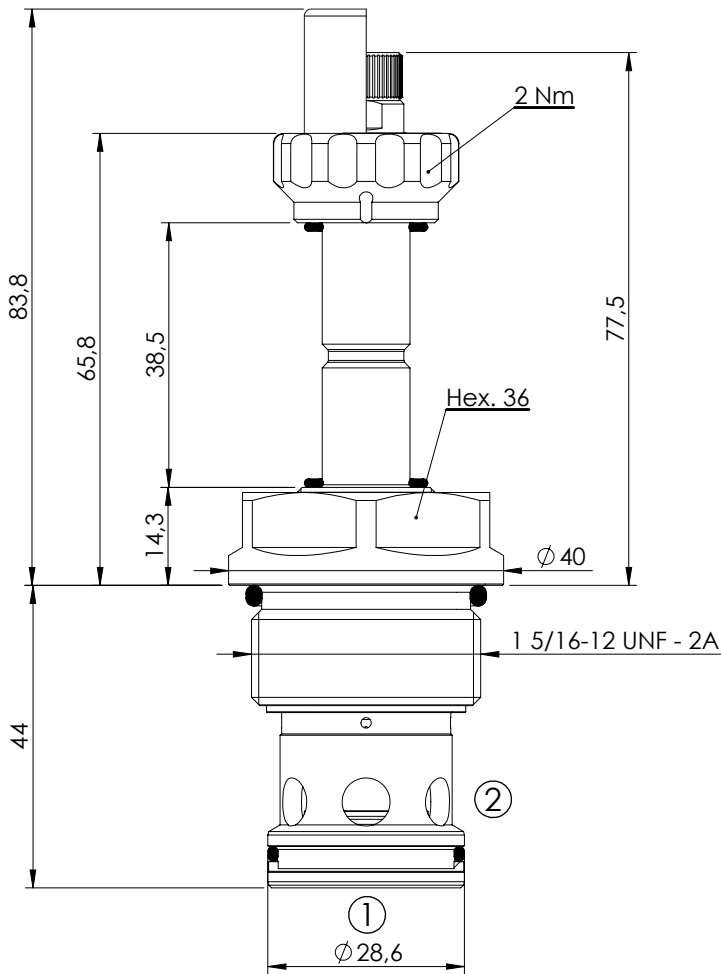


**SOLENOID OPERATED CARTRIDGE**

**CEBN-300-NCFN**

**PILOT OPERATED  
POPPET TYPE**



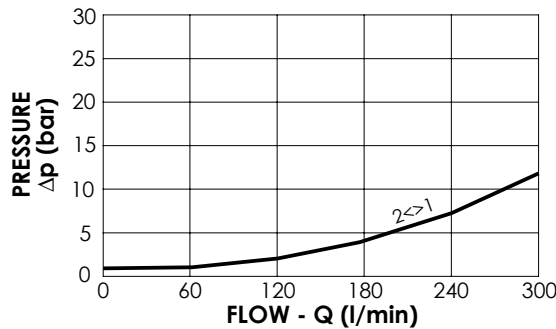
With extra spring

**SPECIFICATIONS**

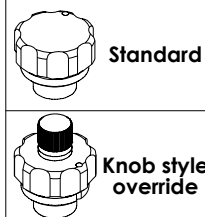
Max. operating pressure:	350/500 bar
Rated flow:	300 l/min
Cavity:	SAE-16-2N
Weight:	0,36 kg
Min. voltage required:	90% of nominal
Coil type:	M7 type
Seal kit:	RA900084

**NOTES**

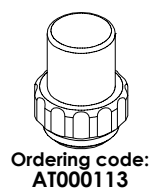
Installation torque: 118 - 132 Nm



**OPTIONS**



**SEALING CAP**



**ORDERING CODES**

Quick code	Description	Options	Max operating pressure (bar)	Extra Spring
CE000393	CEBN-300-NCFN-05-S16-N350	Standard	350	No
CE000395	CEBN-300-NCFK-05-S16-N350	Knob style override	350	No
CE000394	CEBN-300-XCFN-05-S16-N350	Standard	350	Yes
CE000396	CEBN-300-XCFK-05-S16-N350	Knob style override	350	Yes
CE000693	CEBN-300-NCFN-05-S16-N500	Standard	500	No
CE000695	CEBN-300-NCFK-05-S16-N500	Knob style override	500	No