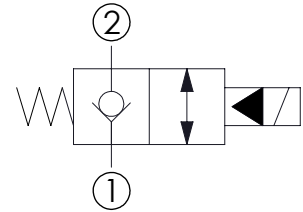
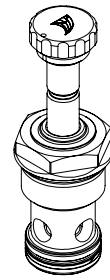
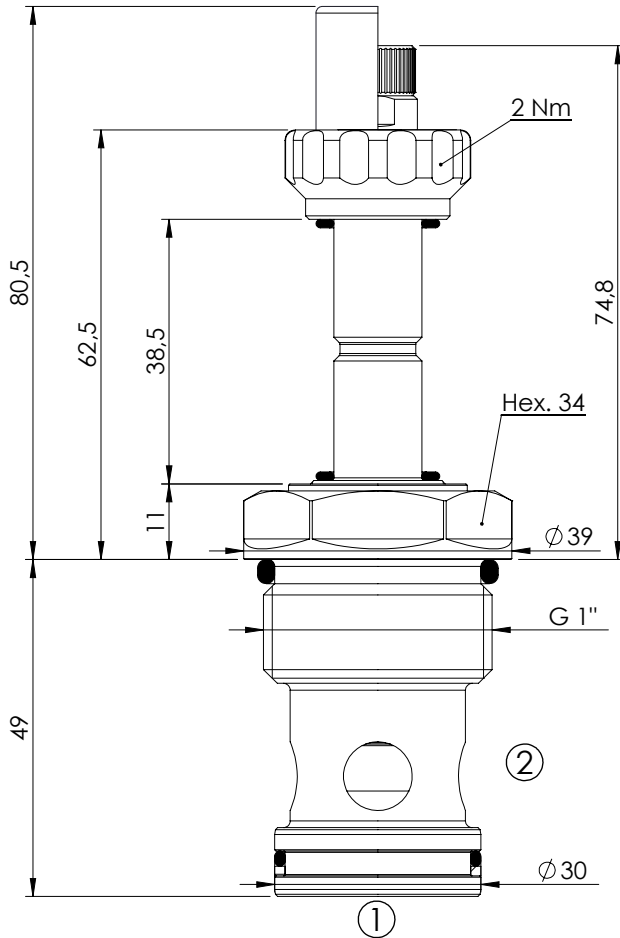


SOLENOID OPERATED CARTRIDGE

CEBN-200-NCFN

**PILOT OPERATED
POPPET TYPE**

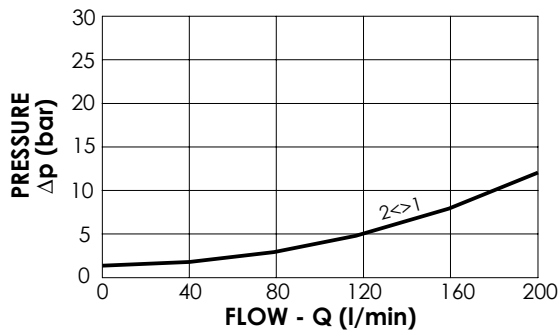


SPECIFICATIONS

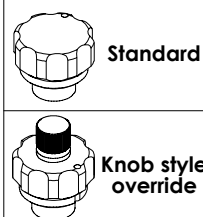
Max. operating pressure:	350/500 bar
Rated flow:	200 l/min
Cavity:	VP000013
Weight:	0,35 kg
Min. voltage required:	90% of nominal
Coil type:	M7 type
Seal kit:	RC900013

NOTES

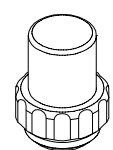
Installation torque: 135 - 150 Nm



OPTIONS



SEALING CAP



Ordering code:
AT000113

ORDERING CODES

Quick code	Description	Options	Max operating pressure (bar)	
CE000358	CEBN-200-NCFN-05-013-N350	Standard	350	
CE000360	CEBN-200-NCFK-05-013-N350	Knob style override	350	
CE000658	CEBN-200-NCFN-05-013-N500	Standard	500	
CE000660	CEBN-200-NCFK-05-013-N500	Knob style override	500	