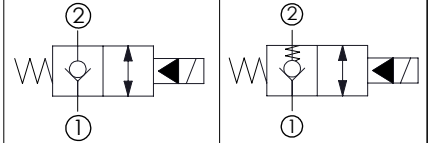
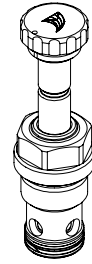
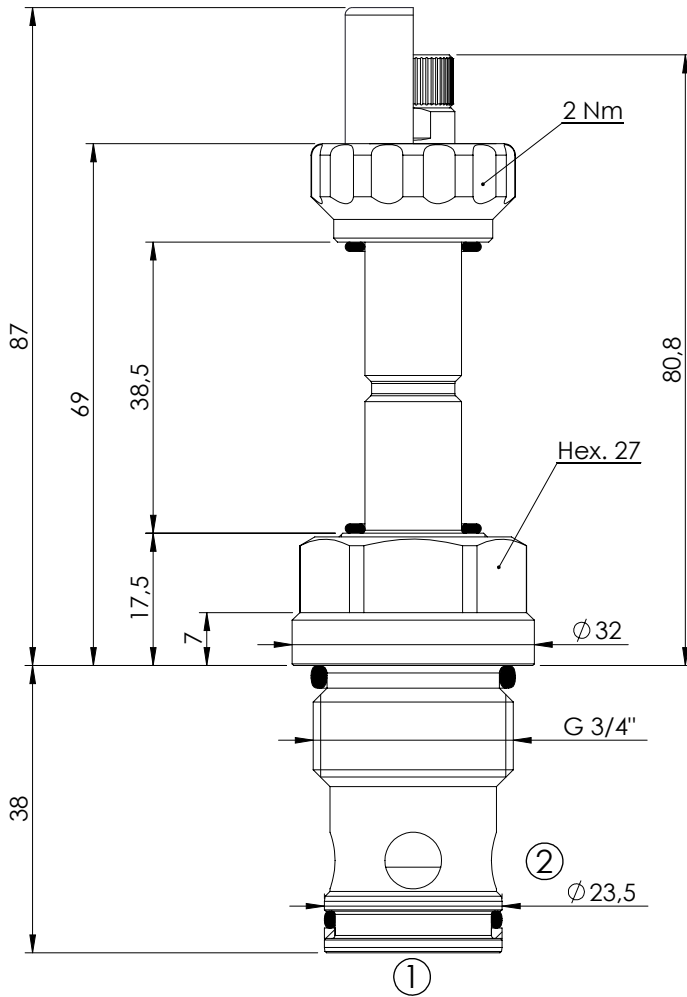


SOLENOID OPERATED CARTRIDGE

CEBN-100-NCFN

**PILOT OPERATED
POPPET TYPE**



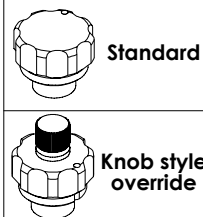
SPECIFICATIONS

| | |
|--------------------------|----------------|
| Max. operating pressure: | 350/500 bar |
| Rated flow: | 100 l/min |
| Cavity: | VP000057 |
| Weight: | 0,25 kg |
| Min. voltage required: | 90% of nominal |
| Coil type: | M7 type |
| Seal kit: | RC900057 |

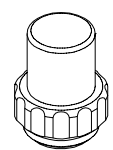
NOTES

Installation torque: 110 - 130 Nm

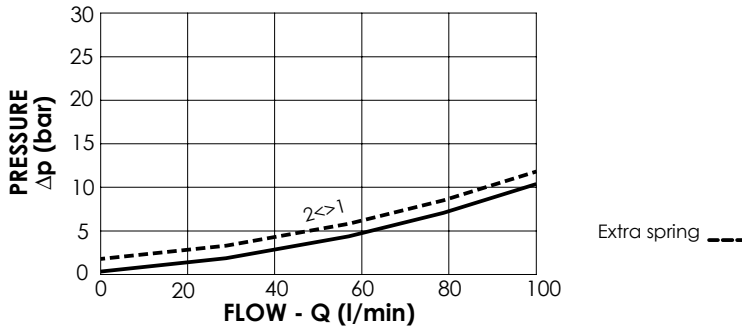
OPTIONS



SEALING CAP



Ordering code:
AT000113



ORDERING CODES

| Quick code | Description | Options | Max operating pressure (bar) | Extra Spring |
|------------|---------------------------|---------------------|------------------------------|--------------|
| CE000288 | CEBN-100-NCFN-05-057-N350 | Standard | 350 | No |
| CE000290 | CEBN-100-NCFK-05-057-N350 | Knob style override | 350 | No |
| CE000289 | CEBN-100-XCFN-05-057-N350 | Standard | 350 | Yes |
| CE000291 | CEBN-100-XCFK-05-057-N350 | Knob style override | 350 | Yes |
| CE000588 | CEBN-100-NCFN-05-057-N500 | Standard | 500 | No |
| CE000590 | CEBN-100-NCFK-05-057-N500 | Knob style override | 500 | No |