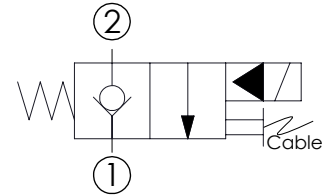
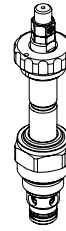
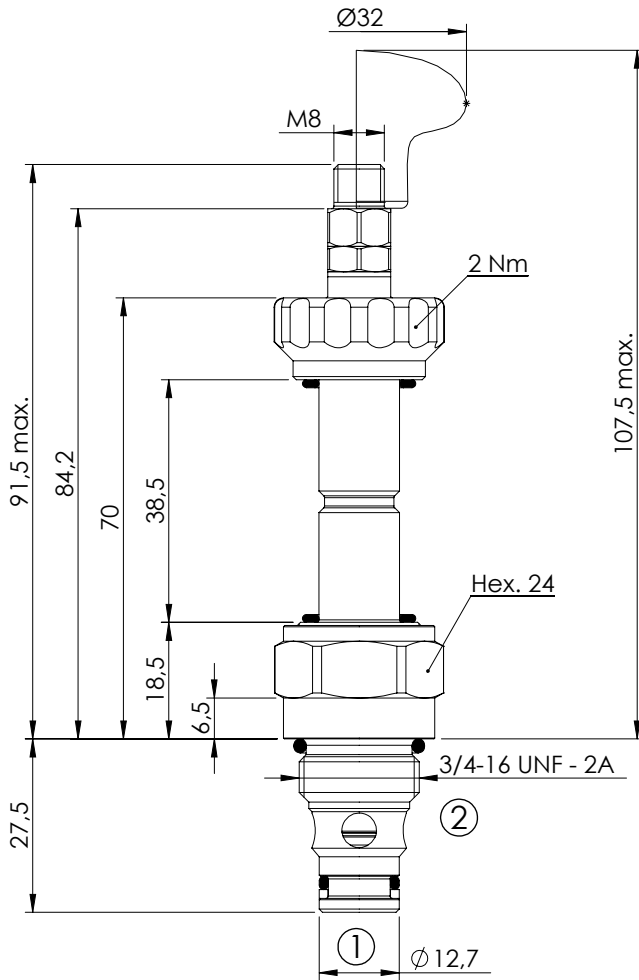


SOLENOID OPERATED CARTRIDGE

CEBN-040-NCFF

**PILOT OPERATED
POPPET TYPE**



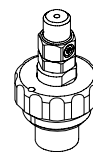
SPECIFICATIONS

| | |
|--------------------------|----------------|
| Max. operating pressure: | 350 bar |
| Rated flow: | 40 l/min |
| Cavity: | SAE-08-2N |
| Weight: | 0,16 kg |
| Min. voltage required: | 90% of nominal |
| Coil type: | M7 type |
| Seal kit: | RA900081 |

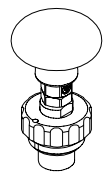
NOTES

Installation torque: 45 - 50 Nm

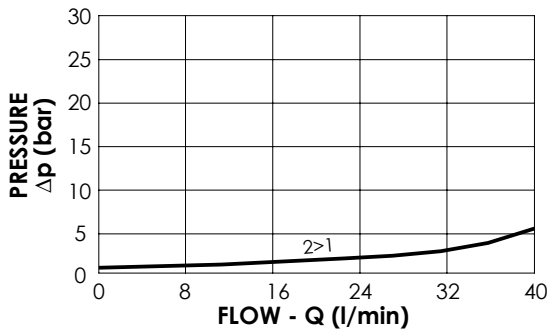
OPTIONS



Cable Operated



Hand Operated



ORDERING CODES

| Quick code | Description | Options | | |
|------------|---------------------------|----------------|--|--|
| CE000470 | CEBN-040-NCFF-01-S08-N350 | Cable Operated | | |
| CE000799 | CEBN-040-NCFM-01-S08-N350 | Hand Operated | | |
| | | | | |
| | | | | |
| | | | | |
| | | | | |