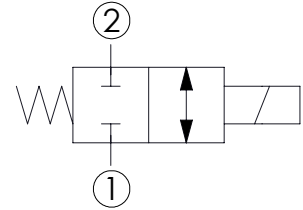
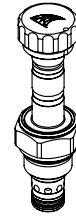
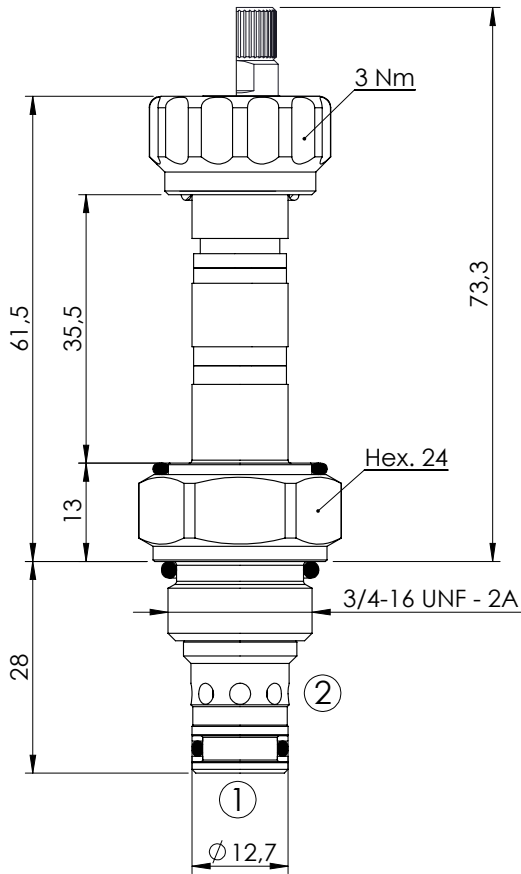


**SOLENOID OPERATED CARTRIDGE**

**CEBS-010-NCFN**

**DIRECT OPERATED  
SPOOL TYPE**



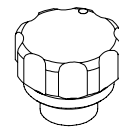
**SPECIFICATIONS**

Max. operating pressure:	210 bar
Rated flow:	10 l/min
Cavity:	SAE-08-2N
Weight:	0,12 kg
Min. voltage required:	90% of nominal
Coil type:	M7 type
Seal kit:	RB700081

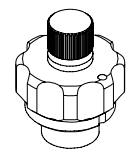
**NOTES**

Installation torque: **45 - 50 Nm**

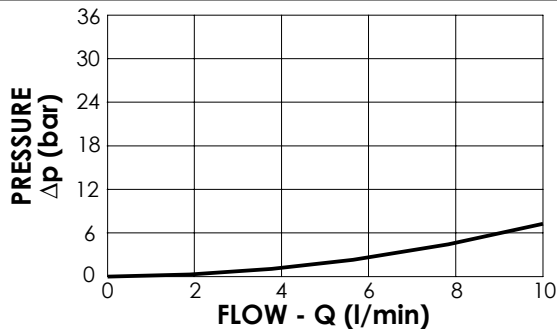
**OPTIONS**



**Standard**



**Knob style  
override**



**ORDERING CODES**

Quick code	Description	Options	
CE000092	CEBS-010-NCFN-22-S08-N210	Standard	
CE000093	CEBS-010-NCFE-22-S08-N210	Knob style override	