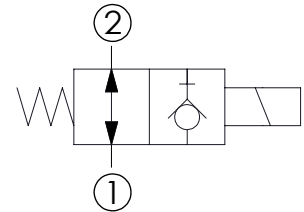
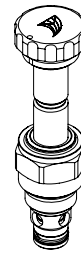
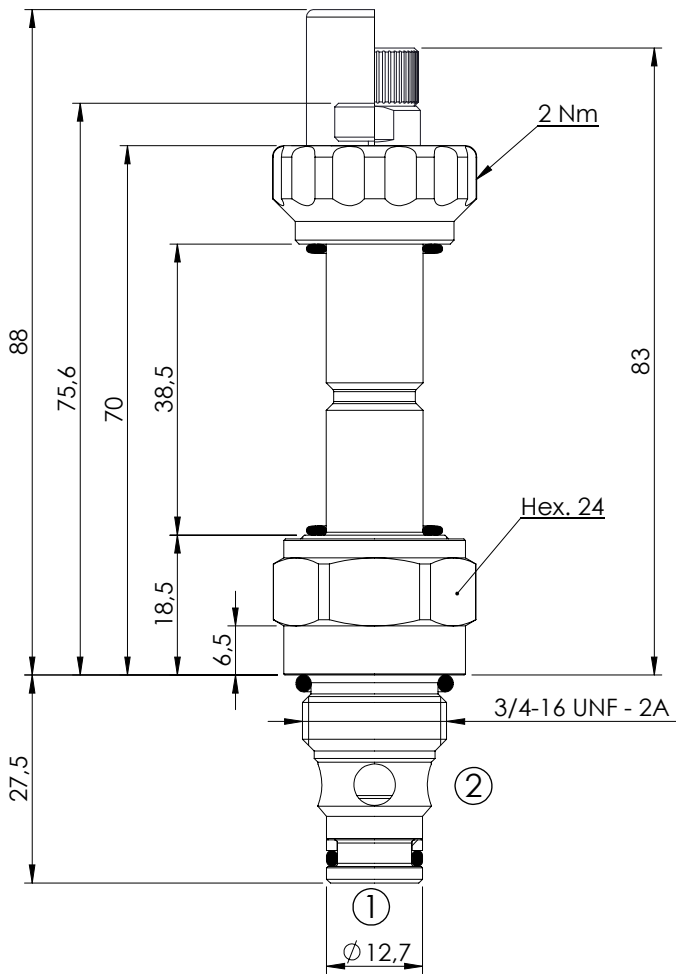


SOLENOID OPERATED CARTRIDGE

CEBD-001-NAFN

**DIRECT OPERATED
POPPET TYPE**

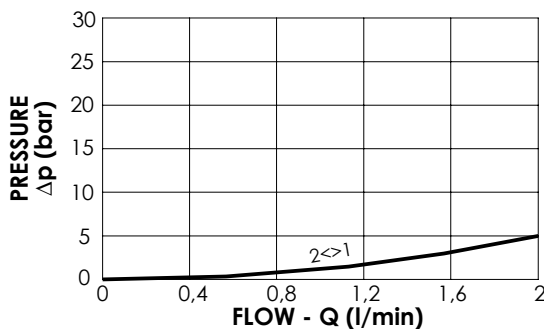


SPECIFICATIONS

Max. operating pressure:	350/500 bar
Rated flow:	1,5 l/min
Cavity:	SAE-08-2N
Weight:	0,15 kg
Min. voltage required:	90% of nominal
Coil type:	M7 type
Seal kit:	RA900081

NOTES

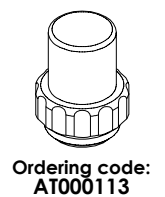
Installation torque: 45 - 50 Nm



OPTIONS

- Standard
- Push style override
- Knob style override

SEALING CAP



ORDERING CODES

Quick code	Description	Options	Max operating pressure (bar)
CE000207	CEBD-001-NAFN-14-S08-N350	Standard	350
CE000208	CEBD-001-NAFP-14-S08-N350	Push style override	350
CE000209	CEBD-001-NAFK-14-S08-N350	Knob style override	350
CE000507	CEBD-001-NAFN-14-S08-N500	Standard	500
CE000508	CEBD-001-NAFP-14-S08-N500	Push style override	500
CE000509	CEBD-001-NAFK-14-S08-N500	Knob style override	500