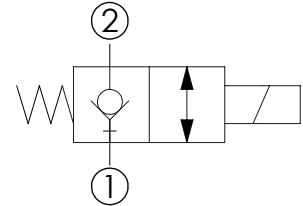
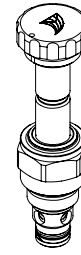
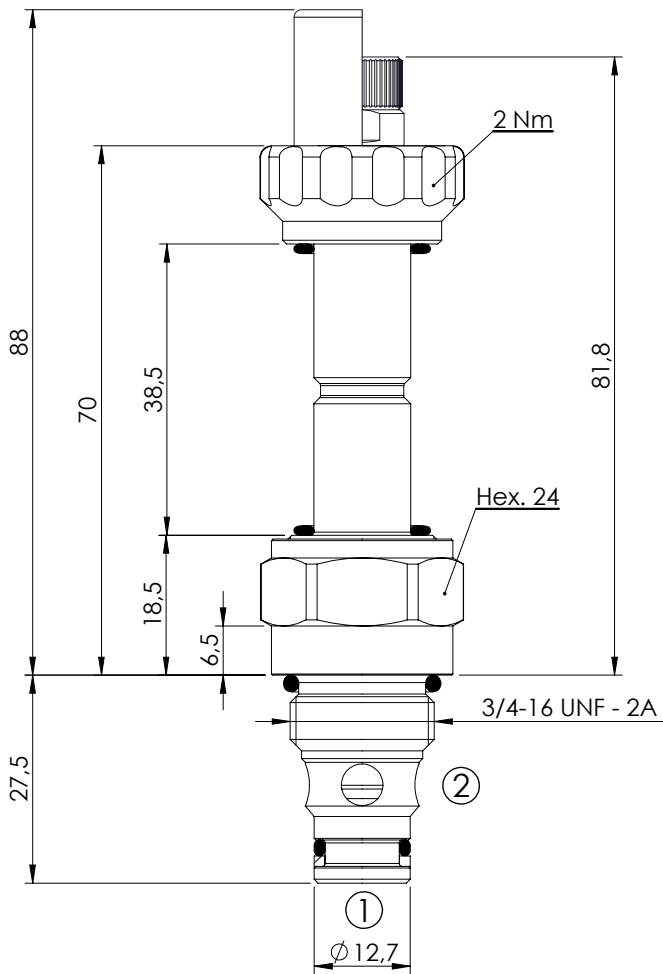


SOLENOID OPERATED CARTRIDGE

CEBD-001-NCFN

**DIRECT OPERATED
POPPET TYPE**

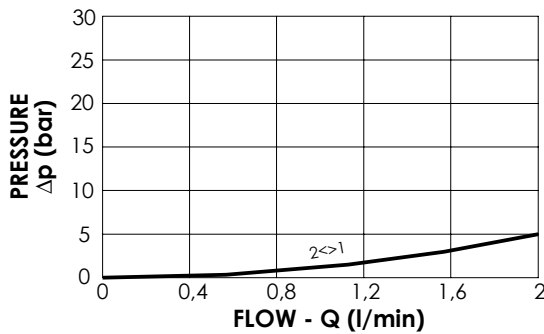


SPECIFICATIONS

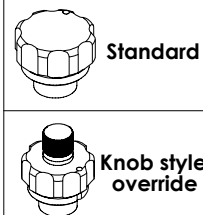
Max. operating pressure:	350/500 bar
Rated flow:	1,5 l/min
Cavity:	SAE-08-2N
Weight:	0,14 kg
Min. voltage required:	90% of nominal
Coil type:	M7 type
Seal kit:	RA900081

NOTES

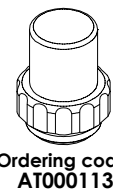
Installation torque: 45 - 50 Nm



OPTIONS



SEALING CAP



ORDERING CODES

Quick code	Description	Options	Max operating pressure (bar)
CE000200	CEBD-001-NCFN-15-S08-N350	Standard	350
CE000201	CEBD-001-NCFK-15-S08-N350	Knob style override	350
CE000500	CEBD-001-NCFN-15-S08-N500	Standard	500
CE000501	CEBD-001-NCFK-15-S08-N500	Knob style override	500