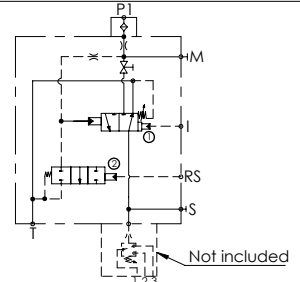
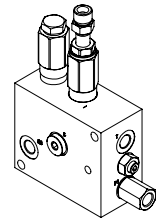


LOAD LIMITING DEVICE

MTTR-005-TLSN

PILOT PRESSURE UNLOADING FLAGE FOR PRESSURE SWITCH

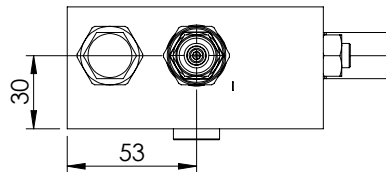
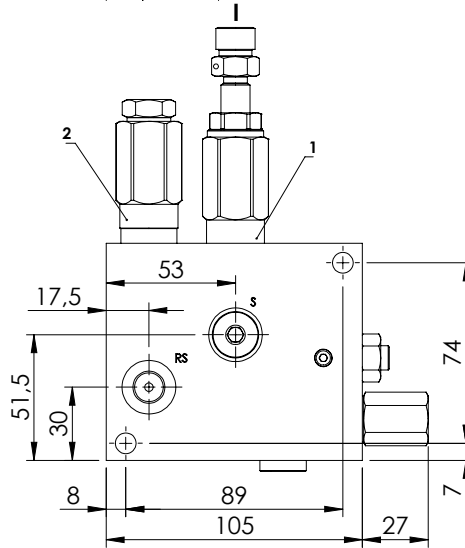
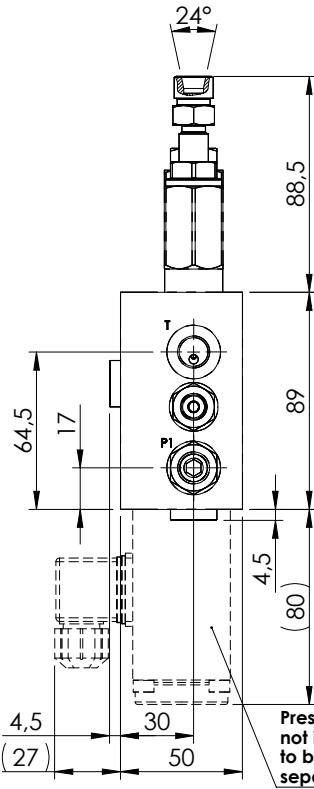
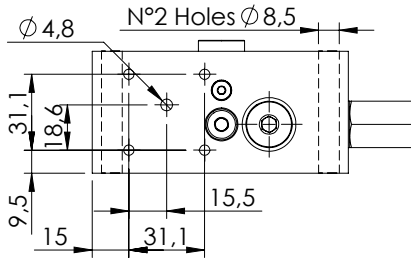


SPECIFICATIONS

Max. operating pressure:	350 bar
Rated flow:	5 l/min
Manifold:	Aluminium
Weight:	1,78 kg

NOTES

For info or special versions contact AFT sales network.



ORDERING CODES

Quick code	Description	Main ports size	Standard setting (bar, Q=5 l/min)	Adjust. range (bar)	Pressure increase (bar/turn)
MT000031	MTTR-005-TLSN-NP-G14-N350	P1,M,PR1,RS,T,S:G 1/4" I:M16x1,5	280	100-350	109