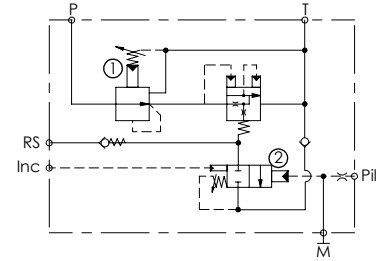
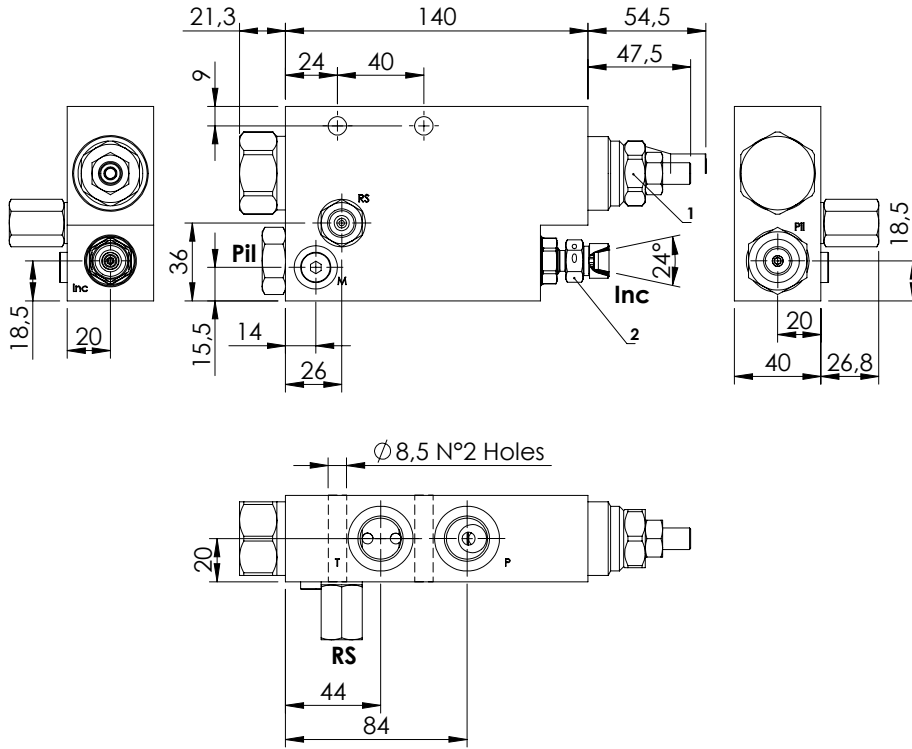
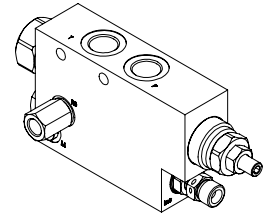


LOAD LIMITING DEVICE

**MTSN-120-TLNR**

**HYDRAULIC PRESSURE  
UNLOADING  
KICK DOWN SYSTEM**

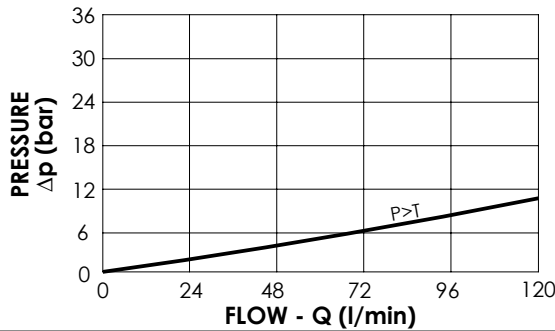
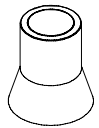


**SPECIFICATIONS**

Max. operating pressure:	350 bar
Rated flow:	120 l/min
Manifold:	Aluminium
Weight:	1,91 kg

**SEALING CAP**

Ordering cose:  
**AT000021**



**NOTES**

**ORDERING CODES**

Quick code	Description	Main ports size	Standard setting (bar, Q=5 l/min)	Adjust. range (bar)	Pressure increase (bar/turn)
MT000010	MTSN-120-TLNR-NP-G12-N350	P,T:G 1/2" RS,Pii:G 1/4" Inc:M16x1,5 M:M10x1	① 35 ② 350	① 10-120 ② 70-210	① 37 ② 92