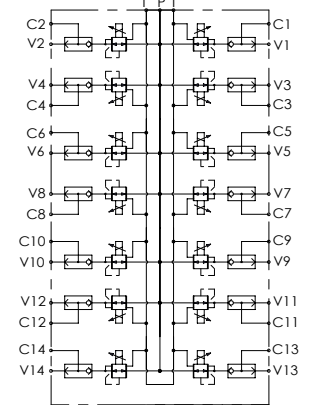
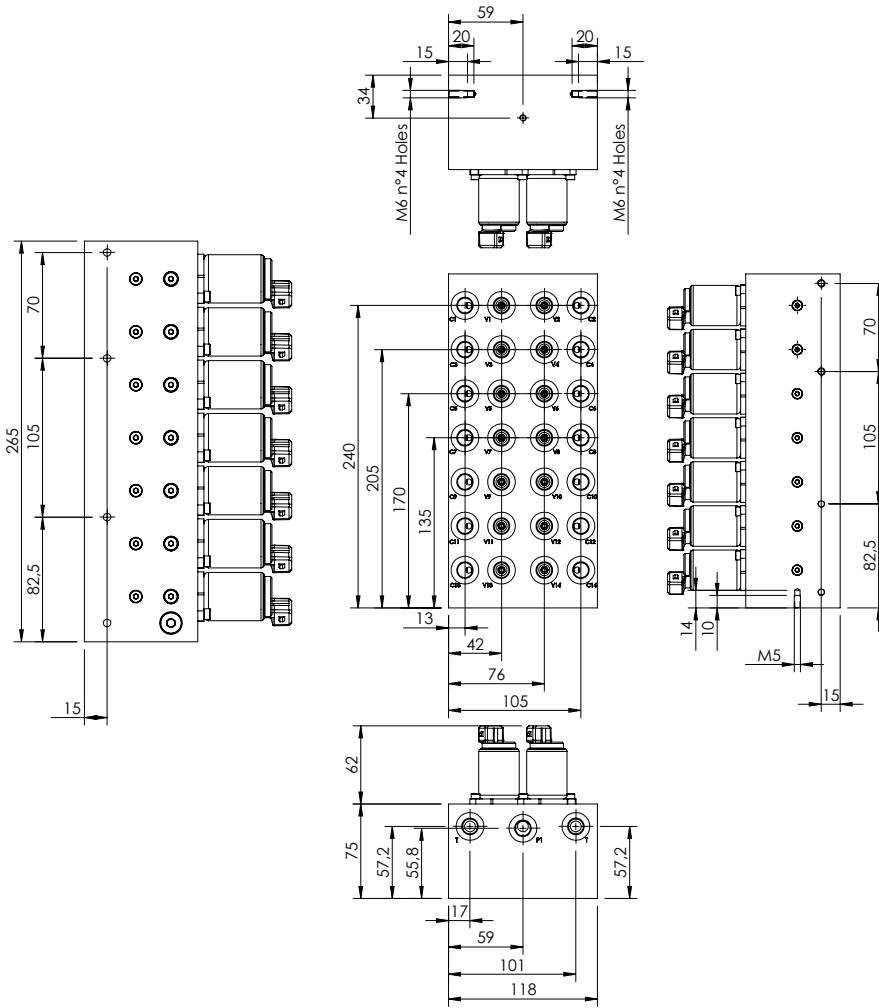
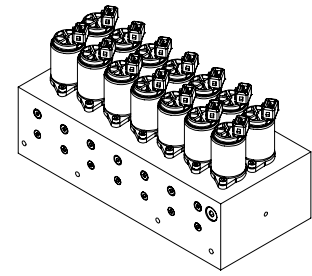


PILOT BLOCK

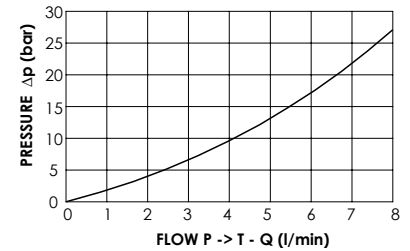
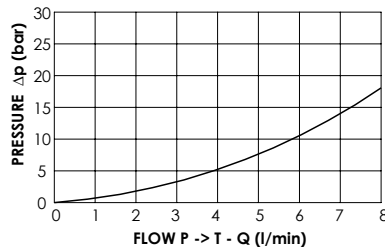
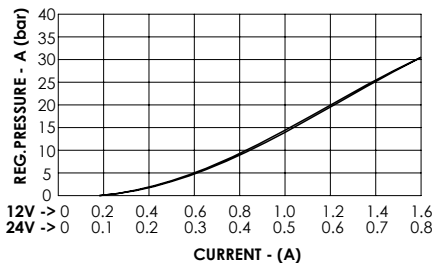
BDEZ-005-LLSN

**PROPORTIONAL
PRESSURE REDUCING
PILOT MANIFOLD**



SPECIFICATIONS

Max. operating pressure:	50 bar
Rated flow:	3 l/min
Manifold:	Aluminium
Weight:	5,8 kg



ORDERING CODES

Quick code	Description	Main ports size	Regulated pressure range (bar)	Voltage (V)	Connector type
BD000203	BDEZ-005-LLSN-14-G14-N050-NBAJ	G 1/4"	0-25	24 DC	AMP JUNIOR
BD000204	BDEZ-005-LLSN-14-G14-N050-NAAJ	G 1/4"	0-25	12 DC	AMP JUNIOR