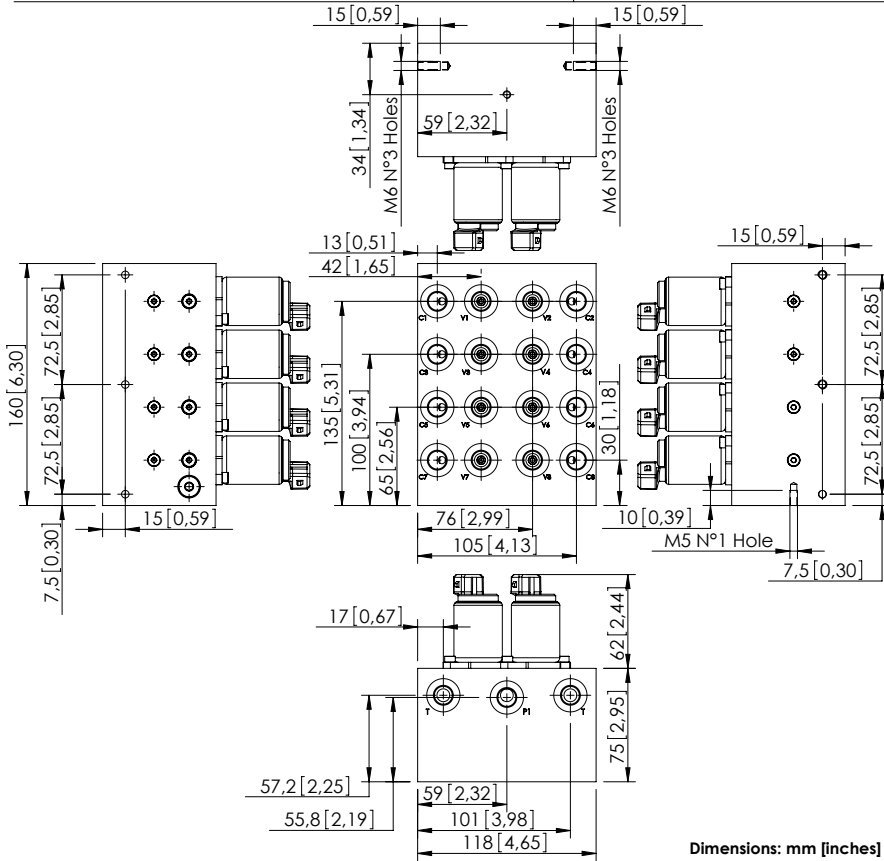


PILOT BLOCK

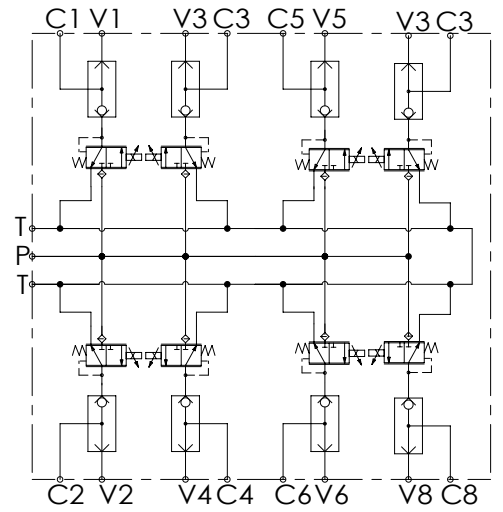
BDEZ-005-LLSI

**PROPORTIONAL
PRESSURE REDUCING
PILOT MANIFOLD**



Dimensions: mm [inches]

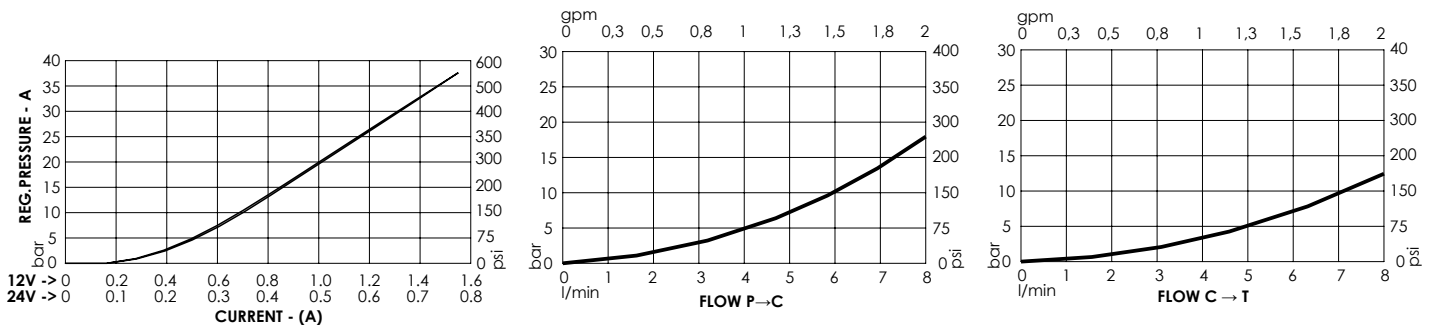
NOTES



SPECIFICATIONS

Max. operating pressure:	50 bar (700 psi)
Max. operating pressure on port T:	30 bar (400 psi)
Rated flow:	5 l/min (1.3 gpm)
Manifold:	Aluminium
Weight:	5 kg (11 lbs)
Contamination class to ISO 4406:	See technical spec.
MTF _d :	150 years

CURVES



ORDERING CODES

Quick code	Description	Ports	Regulated pressure range	Voltage	Connector type
BD000088	BDEZ-005-LLSI-08-G14-N050-NBAJ	C,V,P,T: G 1/4"	0-20 bar (0-300 psi)	12V DC	AMP JUNIOR
BD000201	BDEZ-005-LLSI-08-G14-N050-NAAJ	C,V,P,T: G 1/4"	0-20 bar (0-300 psi)	24V DC	AMP JUNIOR