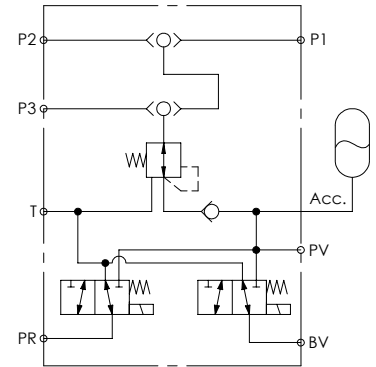
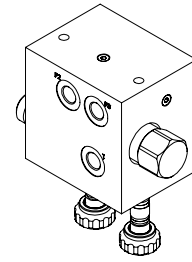
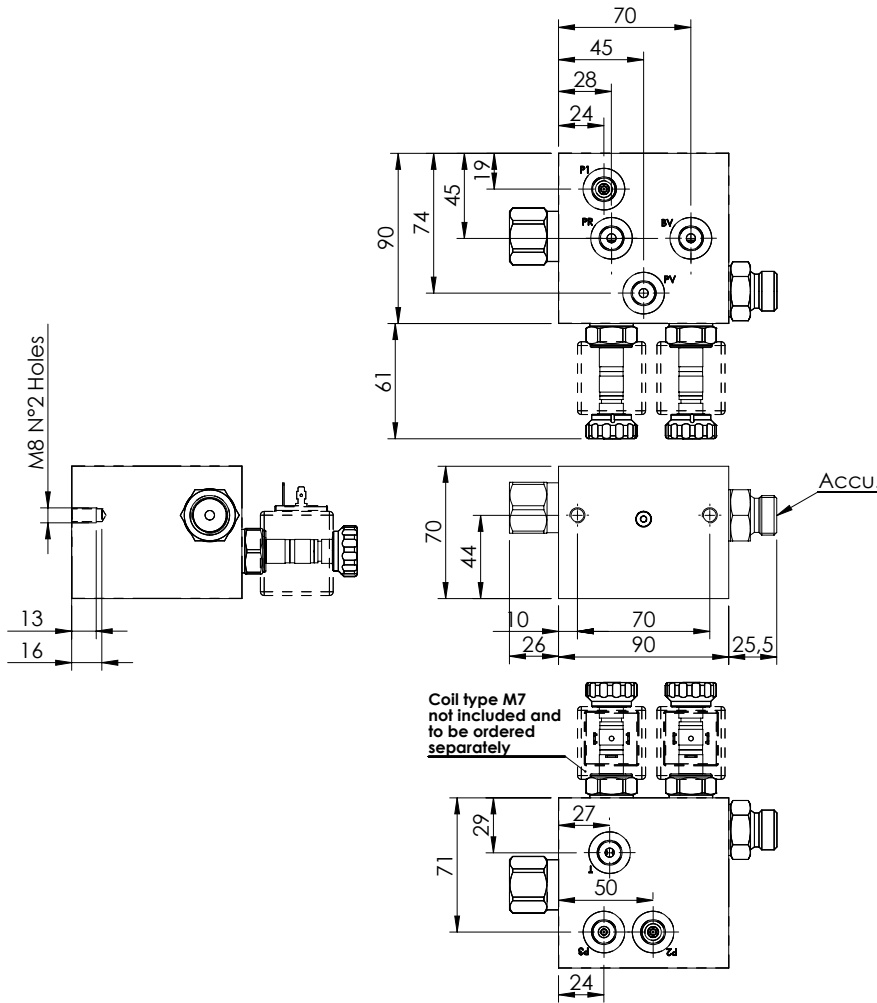


PILOT BLOCK

**BNND-015-AER**

PILOT MANIFOLD

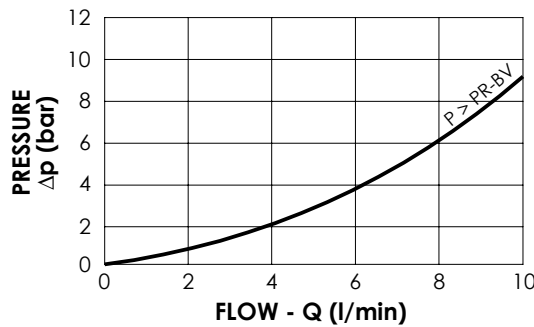


**SPECIFICATIONS**

Max. operating pressure:	350/210 bar
Rated flow:	15 l/min
Weight:	Steel 4,5 kg; Aluminium 1,9 kg
Coil type:	M7

**NOTES**

Rated flow in inlet: 15 l/min  
 Rated flow from accumulator: 45 l/min  
 Pressure reducing valve with stabilization system  
 Othercoil/voltage available on request  
 See chapter 18.00.000 for coil.



**ORDERING CODES**

Quick code	Description	Port size	Manifold material	Standard setting (bar)	
BD000205	BNND-015-AER-G14-N350	P1, P2, P3, PR, PV,BV, T: G 1/4" Acc: G 1/2"	Steel	35	
BD000087	BNND-015-LER-G14-N210	P1, P2, P3, PR, PV,BV, T: G 1/4" Acc: G 1/2"	Aluminium	35	