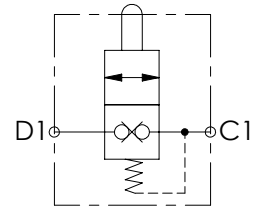
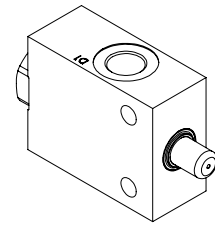
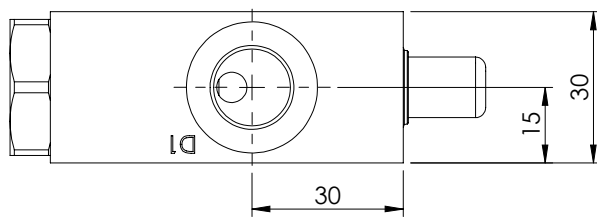
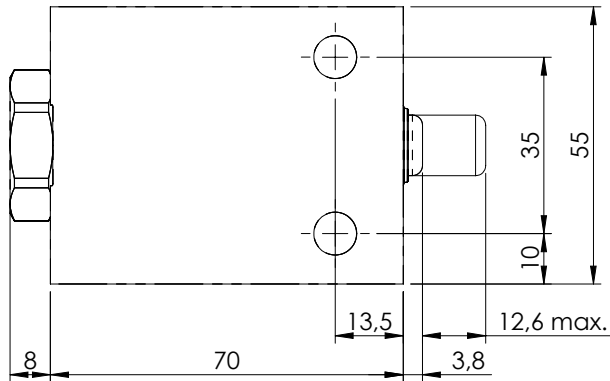
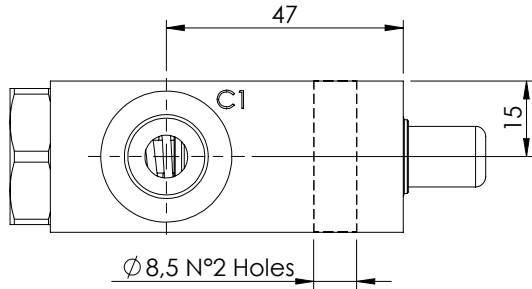


END OF STROKE VALVE

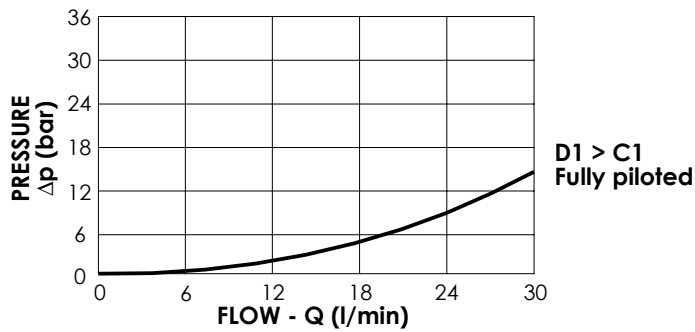
**MDTC-030-ABNR**

NORMALLY CLOSED



**SPECIFICATIONS**

|                          |          |
|--------------------------|----------|
| Max. operating pressure: | 350 bar  |
| Rated flow:              | 30 l/min |
| Manifold:                | Steel    |
| Weight:                  | 0,78 kg  |
| Maximum stroke:          | 12,6 mm  |



**ORDERING CODES**

| Quick code | Description               | Main ports size | Cracking pressure (Kg) | Fully open (Kg) |
|------------|---------------------------|-----------------|------------------------|-----------------|
| MD000064   | MDTC-030-ABNR-NP-G38-N350 | G 3/8"          | 9                      | 19,7            |
|            |                           |                 |                        |                 |
|            |                           |                 |                        |                 |
|            |                           |                 |                        |                 |
|            |                           |                 |                        |                 |