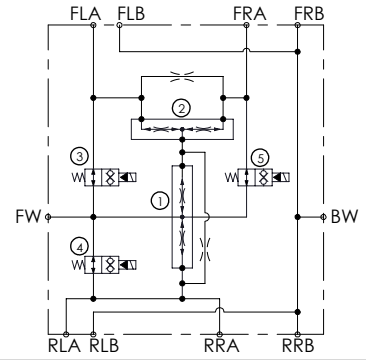
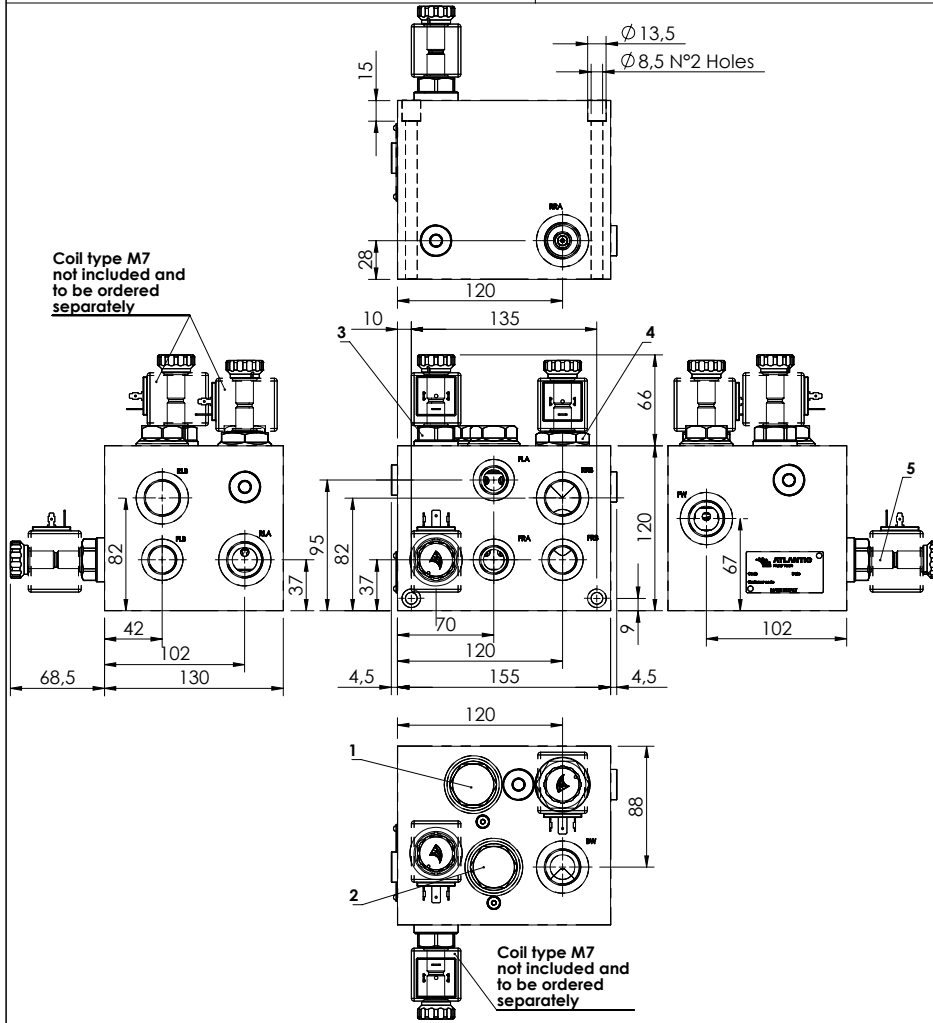
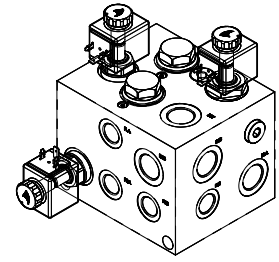


**DIFFERENTIAL LOCK VALVE**

**BNND-200-AED**

**WITH ELECTRIC BYPASS  
FOR THREE MOTORS  
TRANSMISSION**

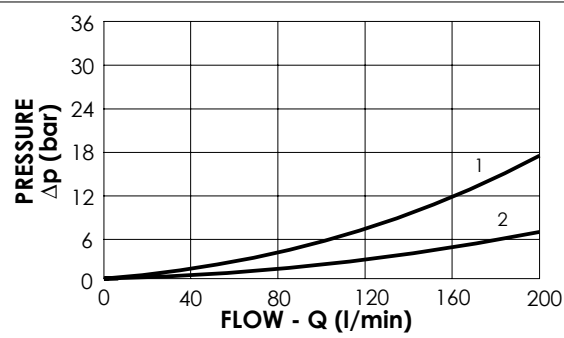


**SPECIFICATIONS**

Max. operating pressure:	500 bar
Rated flow:	200 l/min
Manifold:	Steel
Weight:	16,7 kg
Coil:	M7

**NOTES**

-For other flow ranges contact AFT sales network  
-See chapter 18.00.000 for coil.



- 1: FW>FxA, RxA  
① ②
- 2: FW>FxA, RxA  
③ ④

**ORDERING CODES**

Quick code	Description	Main ports size	Flow diverter ratio:	Inlet range flow (l/min)
BD000199	BNND-200-AED-NP-G34-N500	FW,BW,RLA,RLB,RRA,RRB:G 3/4" FLA,FLB,FRA,FRB:G 1/2"	① 50%-50% ② 33%-66%	48 - 170