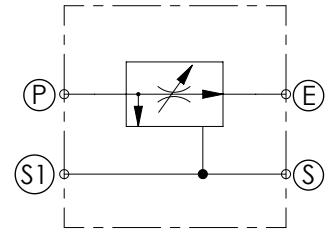
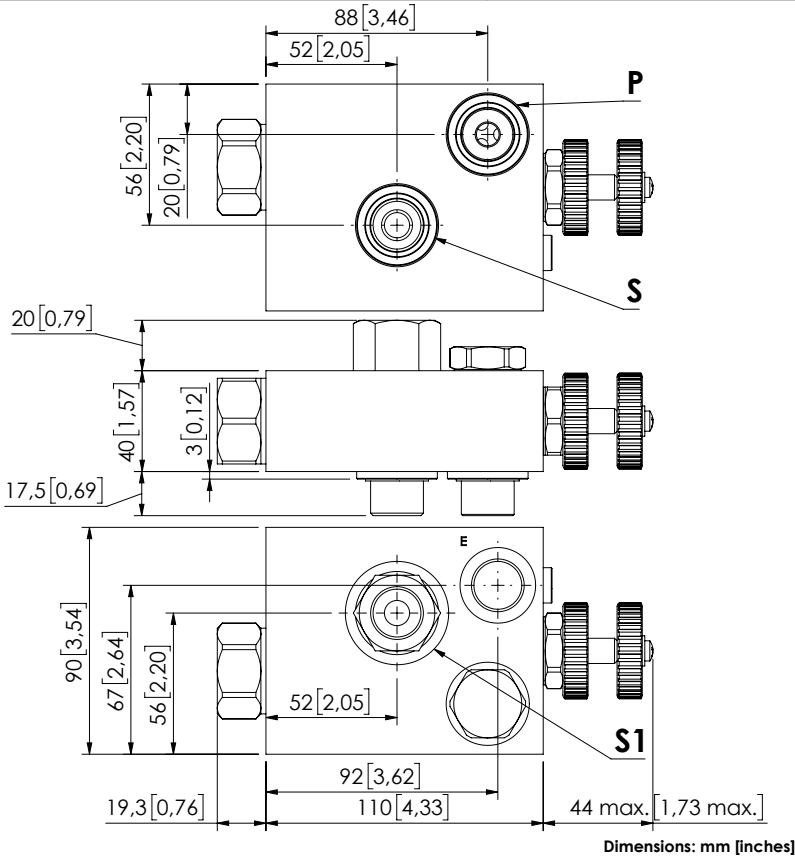


FLOW REGULATOR

MFCT-090-RVTN

3 WAYS COMPENSATED
PRIORITY FLOW REGULATOR



SPECIFICATIONS

Max. operating pressure:	See table
Rated flow:	See table
Weight:	1,63 kg (3,6 lbs)
Contamination class to ISO 4406:	See technical spec.
MTF _d :	150 years

NOTES

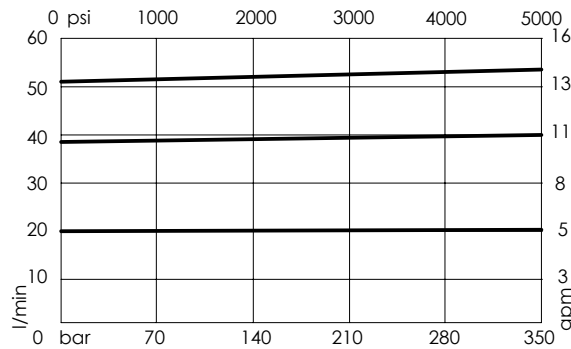
Designed for DANFOSS motors OMP-OMR series.

OPTIONS



Handknob
and locknut

CURVES



ORDERING CODES

Quick code	Description	Ports	Manifold	Max. pressure	Max. inlet flow	Max. regulated flow	Options
MF000373	MFCT-090-RVTN-55-G12-N210	E,P,S,S1: G 1/2"	Aluminium	210 bar (3000 psi)	90 l/min (24 gpm)	55 l/min (15 gpm)	Handknob and locknut