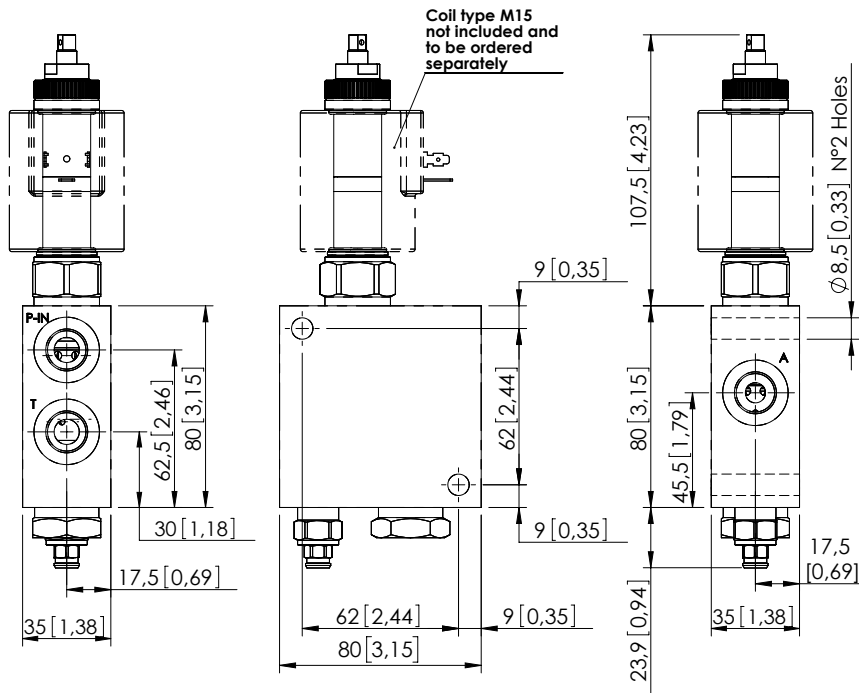
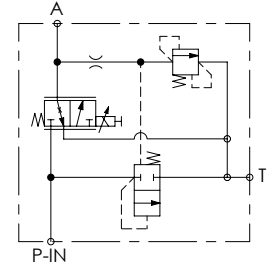


MFCZ-040-LSLR

PROPORTIONAL VALVE
COMPENSATED



Dimensions: mm [inches]



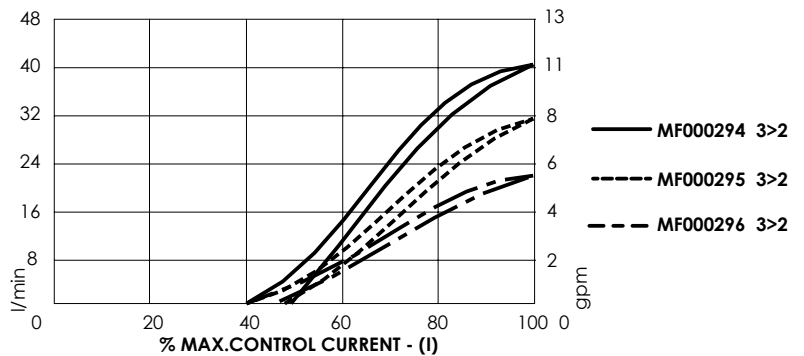
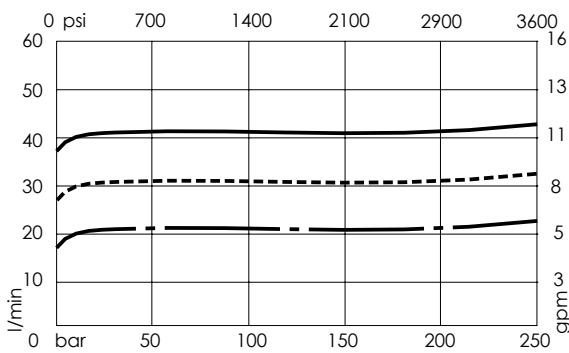
SPECIFICATIONS

Max. operating pressure:	210 bar (3000 psi)
Rated flow:	40 l/min (11 gpm)
Recommended PWM range:	150-180 Hz
Manifold:	Aluminium
Weight:	0,84 kg (1,85 lbs)
Coil type:	M15
Max. int. leakage:	150 cm ³ /min (@46 cSt) 9 in ³ /min (@46 cSt)
Contamination class to ISO 4406:	See technical spec.
MTTF _d :	150 years

NOTES

- Bleed air before use.
- Manual override screw type.
- See chapter 18.00.000 for coil.

CURVES



ORDERING CODES

Quick code	Description	Rated flow	Ports	Threshold current (with 12VDC coil)	Max control current (with 12VDC coil)
MF000294	MFCZ-040-LSLR-40-G38-N210	40 l/min (11 gpm)	A,P-IN,T: G 3/8"	800 mA (± 7%)	1600 mA (± 7%)
MF000295	MFCZ-030-LSLR-30-G38-N210	30 l/min (8 gpm)	A,P-IN,T: G 3/8"	700 mA (± 7%)	1500 mA (± 7%)
MF000296	MFCZ-020-LSLR-20-G38-N210	20 l/min (5 gpm)	A,P-IN,T: G 3/8"	700 mA (± 7%)	2400 mA (± 7%)