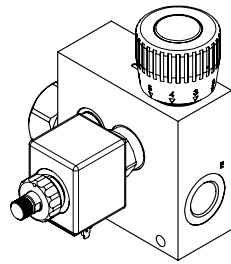
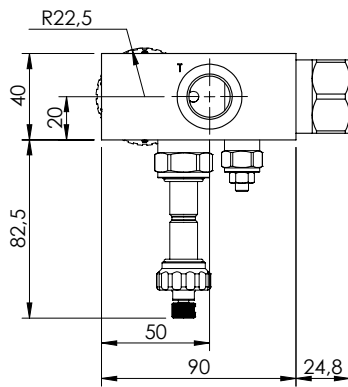


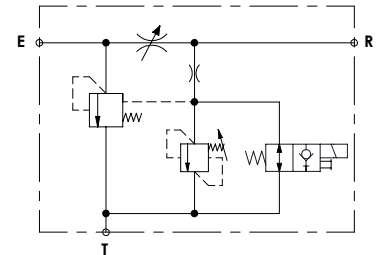
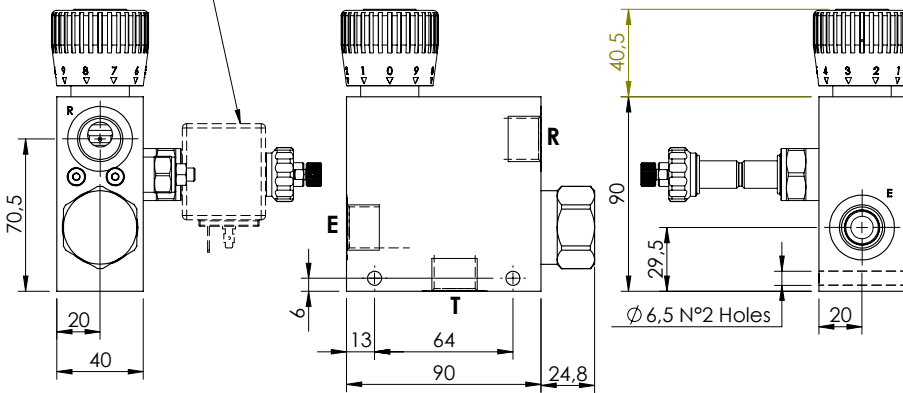
FLOW REGULATOR

MFCT-090-MPTR

**3 WAYS COMPENSATED
WITH RELIEF VALVE AND
ELECTRIC UNLOADING**



M7 coil type to be ordered separately

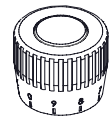


SPECIFICATIONS

Max. operating pressure:	210 bar
Rated flow:	90 l/min
Manifold:	Aluminium
Weight:	0,93 kg

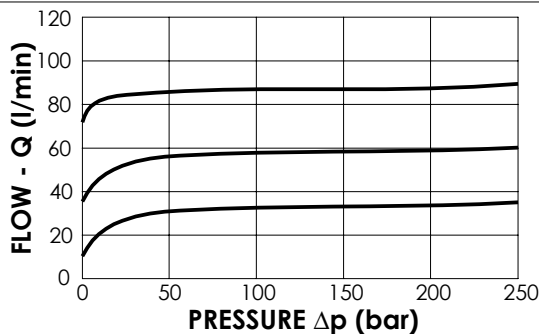
ADJUSTMENT TYPE

Graduated handknob for flow regulation under pressure



RELIEF VALVE

Setting range:	35 - 210 bar
Standard setting:	210 bar



ORDERING CODES

Quick code	Description	Main ports size	Regulated flow range (l/min)	Adjustment type
MF000298	MFCT-090-MPTR-06-G12-N210	G 1/2"	0 - 6	Graduated handknob
MF000299	MFCT-090-MPTR-12-G12-N210	G 1/2"	0 - 12	Graduated handknob
MF000300	MFCT-090-MPTR-25-G12-N210	G 1/2"	0 - 25	Graduated handknob
MF000301	MFCT-090-MPTR-32-G12-N210	G 1/2"	0 - 32	Graduated handknob
MF000302	MFCT-090-MPTR-50-G12-N210	G 1/2"	0 - 50	Graduated handknob
MF000303	MFCT-090-MPTR-63-G12-N210	G 1/2"	0 - 63	Graduated handknob
MF000304	MFCT-090-MPTR-70-G12-N210	G 1/2"	0 - 70	Graduated handknob
MF000305	MFCT-090-MPTR-80-G12-N210	G 1/2"	0 - 80	Graduated handknob