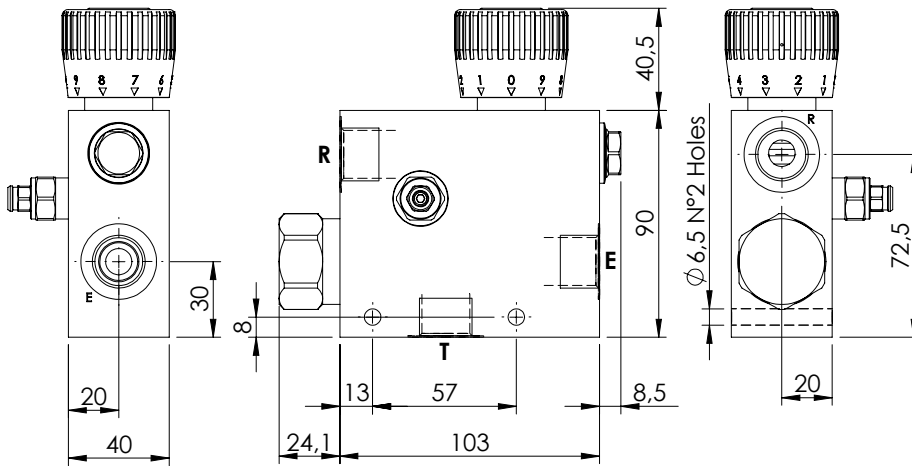
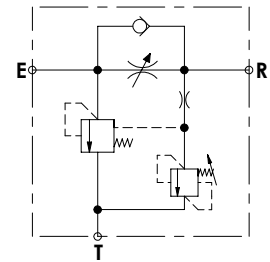
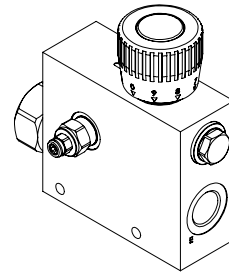
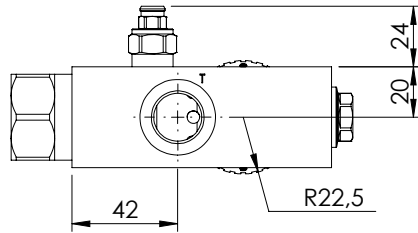


FLOW REGULATOR

MFCT-090-TPZR

**3 WAYS COMPENSATED
BY PASS CHECK VALVE
RELIEF VALVE**

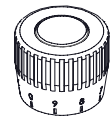


SPECIFICATIONS

Max. operating pressure:	210 bar
Rated flow:	90 l/min
Manifold:	Aluminium
Weight:	1,44 kg

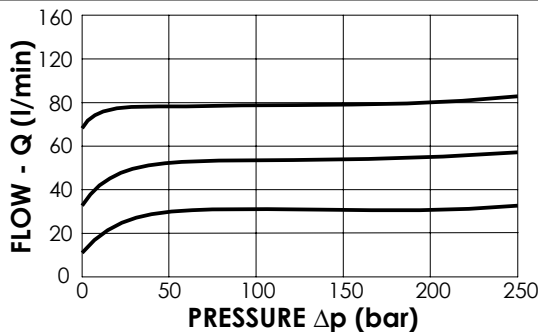
ADJUSTMENT TYPE

Graduated handknob for flow regulation under pressure



NOTES

Setting range:	35 - 210 bar
Standard setting:	210 bar



ORDERING CODES

Quick code	Description	Main ports size	Regulated flow range (l/min)	Adjustment type
MF000226	MFCT-090-TPZR-06-G12-N210	G 1/2"	0 - 6	Graduated handknob
MF000227	MFCT-090-TPZR-12-G12-N210	G 1/2"	0 - 12	Graduated handknob
MF000228	MFCT-090-TPZR-25-G12-N210	G 1/2"	0 - 25	Graduated handknob
MF000229	MFCT-090-TPZR-32-G12-N210	G 1/2"	0 - 32	Graduated handknob
MF000230	MFCT-090-TPZR-50-G12-N210	G 1/2"	0 - 50	Graduated handknob
MF000231	MFCT-090-TPZR-63-G12-N210	G 1/2"	0 - 63	Graduated handknob
MF000232	MFCT-090-TPZR-70-G12-N210	G 1/2"	0 - 70	Graduated handknob
MF000233	MFCT-090-TPZR-80-G12-N210	G 1/2"	0 - 80	Graduated handknob