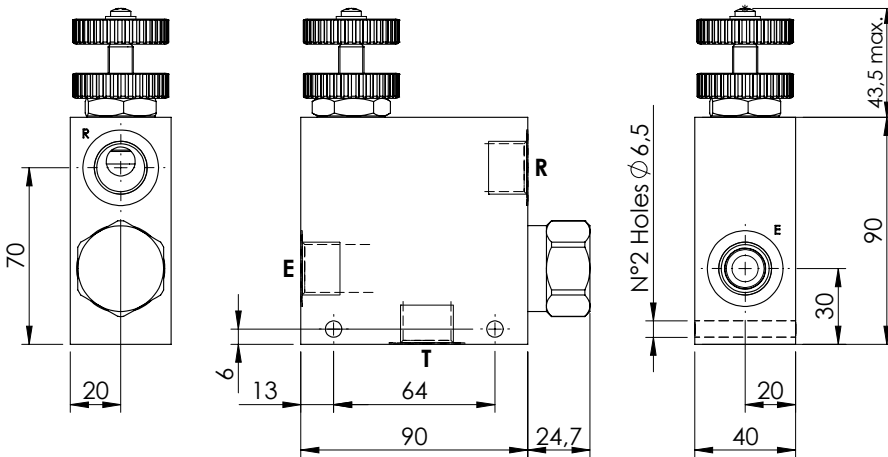
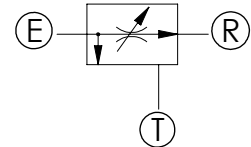
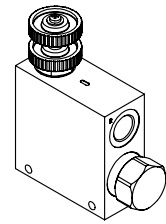
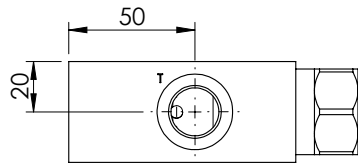


FLOW REGULATOR

MFCT-090-RVTR

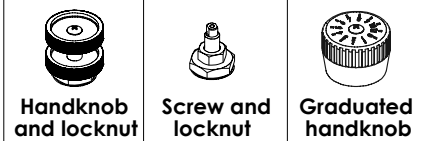
3 WAYS COMPENSATED



SPECIFICATIONS

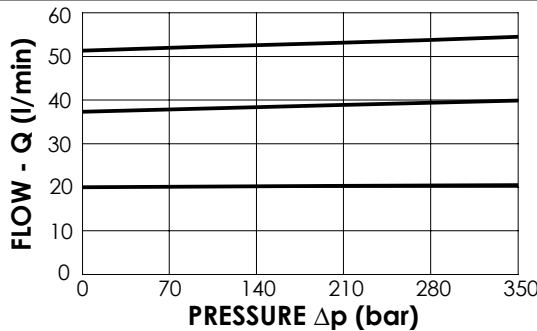
Max. operating pressure:	see table
Rated flow:	90 l/min
Manifold:	Aluminium/Steel
Weight:	1,11/2,45 kg

ADJUSTMENT OPTIONS



NOTES

Regulation: FINE



ORDERING CODES

Quick code	Description	Main ports size	Manifold	Max. Pressure (Bar)	Max. reg.flow (l/min)	Max. inlet flow (l/min)	Adjustment options
MF000015	MFCT-090-RVTR-55-G12-N210	G 1/2"	Aluminium	210	55	90	Handknob and locknut
MF000016	MFCT-090-RHTR-55-G12-N210	G 1/2"	Aluminium	210	55	90	Screw and locknut
MF000014	MFCT-090-RMTR-55-G12-N210	G 1/2"	Aluminium	210	55	90	Graduated handknob
MF000095	MFCT-090-RVSR-55-G12-N350	G 1/2"	Steel	350	55	90	Handknob and locknut
MF000096	MFCT-090-RHSR-55-G12-N350	G 1/2"	Steel	350	55	90	Screw and locknut
MF000097	MFCT-090-RMSR-55-G12-N350	G 1/2"	Steel	350	55	90	Graduated handknob