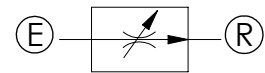
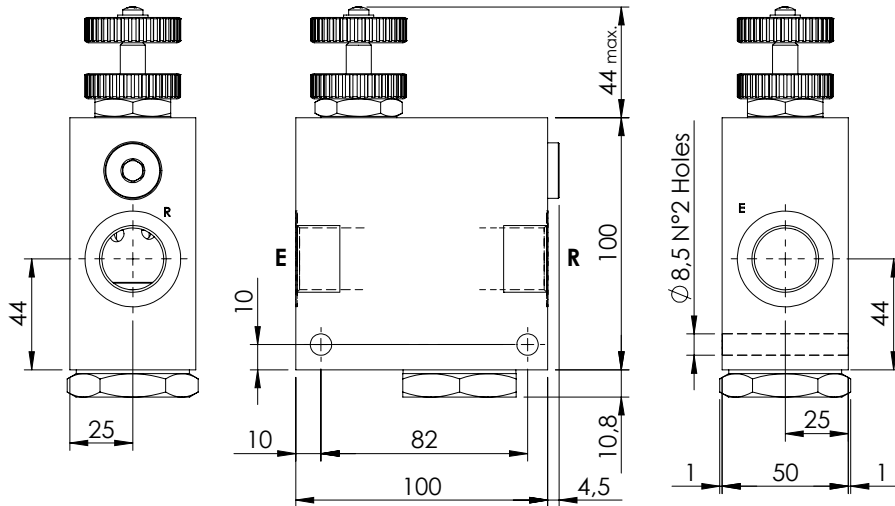
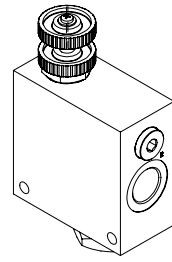


FLOW REGULATOR

**MFST-090-RVTR**

**2 WAYS COMPENSATED**



**SPECIFICATIONS**

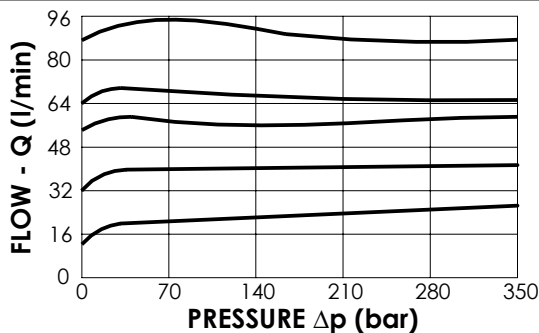
Max. operating pressure:	See table
Rated flow:	90 l/min
Manifold:	Aluminium/Steel
Weight:	1,66/ 3,6 kg

**ADJUSTMENT OPTIONS**



**NOTES**

Regulation: STANDARD



**ORDERING CODES**

Quick code	Description	Main ports size	Manifold	Max. pressure (Bar)	Max. inlet flow (l/min)	Adjustment options
MF000042	MFST-090-RVTR-90-G34-N210	E,R: G 3/4"	Aluminium	210	90	Handknob and locknut
MF000234	MFST-090-RHTR-90-G34-N210	E,R: G 3/4"	Aluminium	210	90	Screw and locknut
MF000235	MFST-090-RMTR-90-G34-N210	E,R: G 3/4"	Aluminium	210	90	Graduated handknob
MF000139	MFST-090-RVSR-90-G34-N350	E,R: G 3/4"	Steel	350	90	Handknob and locknut
MF000236	MFST-090-RHSR-90-G34-N350	E,R: G 3/4"	Steel	350	90	Screw and locknut
MF000237	MFST-090-RMSR-90-G34-N350	E,R: G 3/4"	Steel	350	90	Graduated handknob