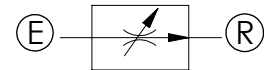
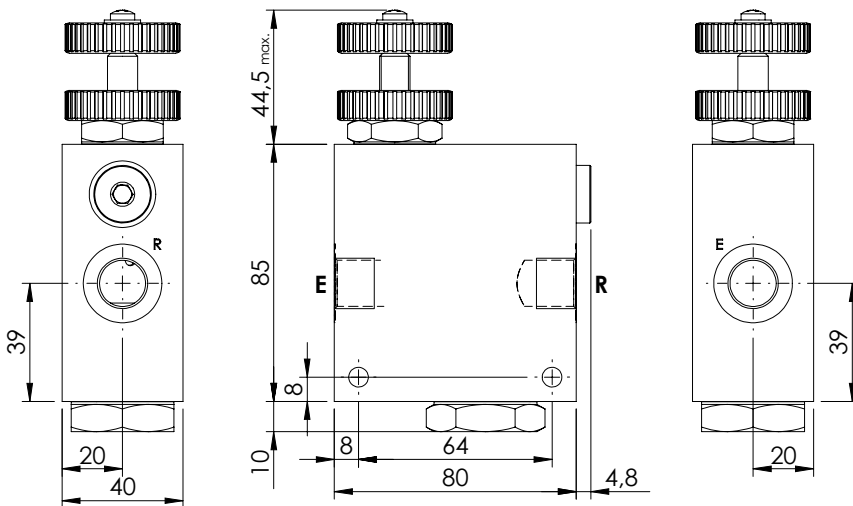
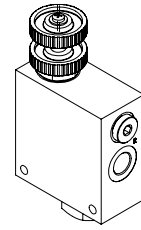


FLOW REGULATOR

MFST-030-RVTR

2 WAYS COMPENSATED



SPECIFICATIONS

Max. operating pressure: See table

Rated flow: 30 l/min

Manifold: Aluminium/Steel

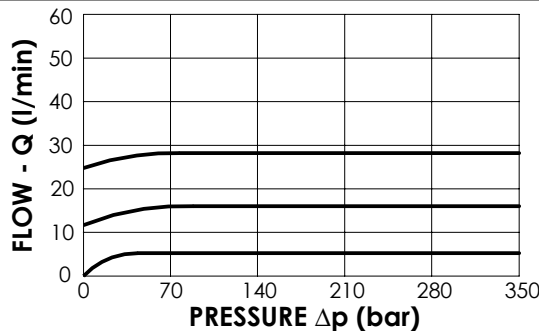
Weight: 0,95/1,39 kg

ADJUSTMENT OPTIONS



NOTES

Regulation: FINE



ORDERING CODES

Quick code	Description	Main ports size	Manifold	Max. Pressure (Bar)	Max. inlet flow (l/min)	Adjustment options
MF000241	MFST-030-RVTR-30-G38-N210	E,R: G 3/8"	Aluminium	210	30	Handknob and locknut
MF000242	MFST-030-RHTR-30-G38-N210	E,R: G 3/8"	Aluminium	210	30	Screw and locknut
MF000243	MFST-030-RMTR-30-G38-N210	E,R: G 3/8"	Aluminium	210	30	Graduated handknob
MF000244	MFST-030-RVSR-30-G38-N350	E,R: G 3/8"	Steel	350	30	Handknob and locknut
MF000245	MFST-030-RHSR-30-G38-N350	E,R: G 3/8"	Steel	350	30	Screw and locknut
MF000246	MFST-030-RMSR-30-G38-N350	E,R: G 3/8"	Steel	350	30	Graduated handknob