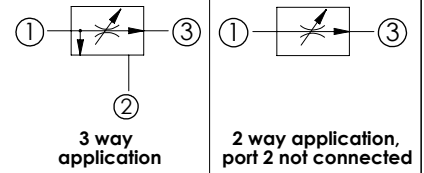
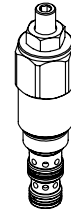
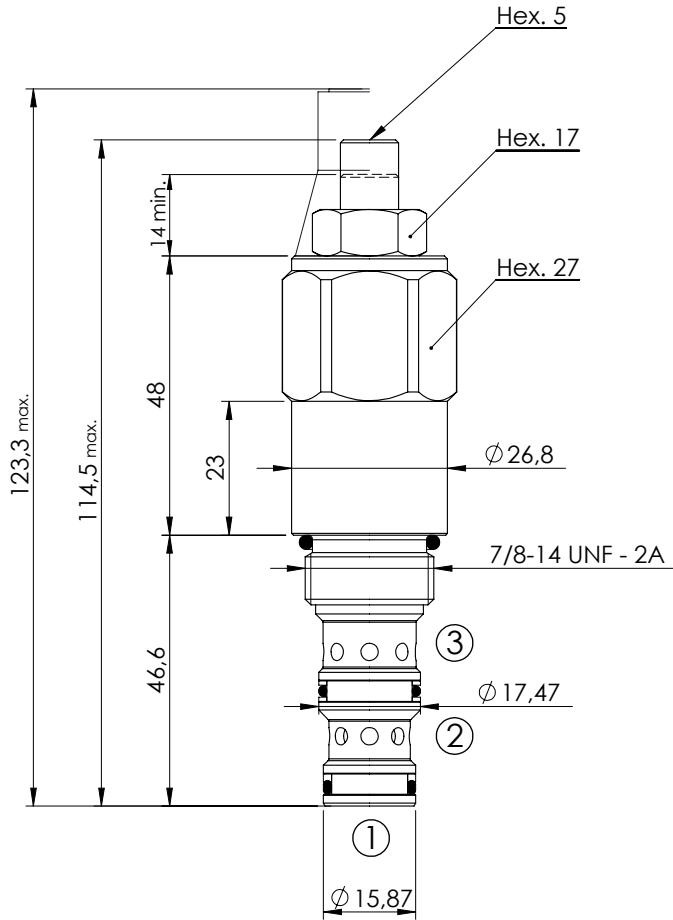


FLOW REGULATOR

CFCT-060-MHRR

**3 WAYS COMBINATION
ADJUSTABLE SETTING**

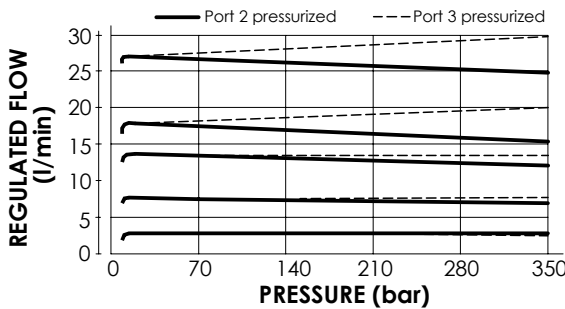
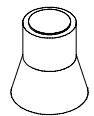


SPECIFICATIONS

Max. operating pressure:	350 bar
Rated flow:	60 l/min
Cavity:	SAE-10-3N
Weight:	0,28 kg

SEALING CAP

Ordering code:
AT000022



NOTES

- Installation torque: 55 - 62 Nm
- Seal kit: RA700092
- If port 2 is blocked the valve operates as a two way flow regulator.
- Port 2 can be pressurized.

ORDERING CODES

Quick code	Description	Max. Inlet Flow (l/min)	Reg. Flow range (l/min)	Adjust. range (bar)
CF000063	CFCT-060-MHRR-03-S10-N350	60	2,5-3,5	Screw nut locknut
CF000149	CFCT-060-MHRR-04-S10-N350	60	3-4,5	Screw nut locknut
CF000150	CFCT-060-MHRR-06-S10-N350	60	4,2-6,2	Screw nut locknut
CF000006	CFCT-060-MHRR-09-S10-N350	60	5,8-9	Screw nut locknut
CF000054	CFCT-060-MHRR-12-S10-N350	60	8,5-12	Screw nut locknut
CF000062	CFCT-060-MHRR-16-S10-N350	60	11,5-16,5	Screw nut locknut
CF000151	CFCT-060-MHRR-23-S10-N350	60	15,5-22,5	Screw nut locknut
CF000152	CFCT-060-MHRR-30-S10-N350	60	20-29,5	Screw nut locknut
CF000057	CFCT-060-MHRR-32-S10-N350	60	26,5-35,5	Screw nut locknut