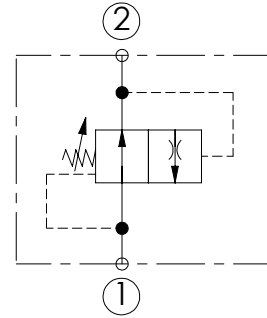
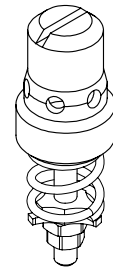
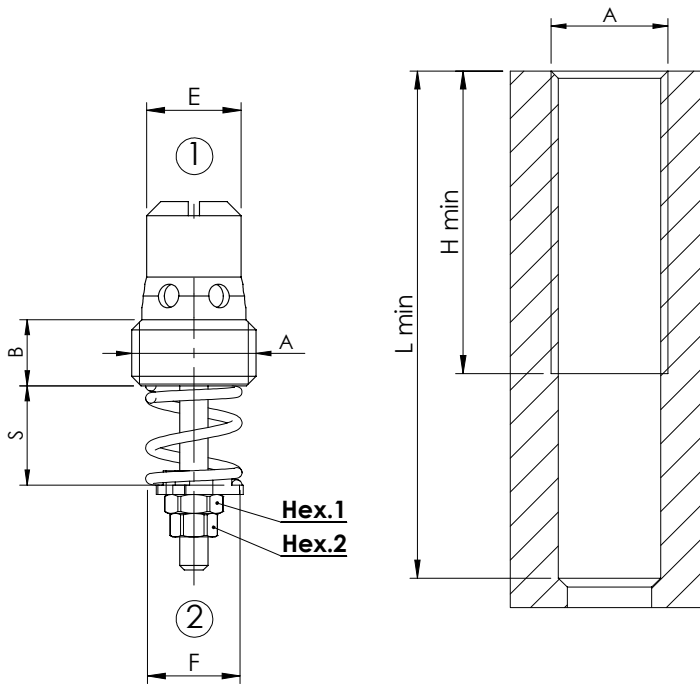


FLOW REGULATOR

CFST-XXX-MDST

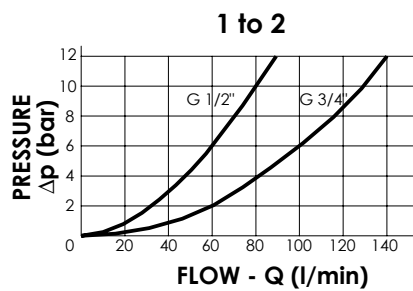
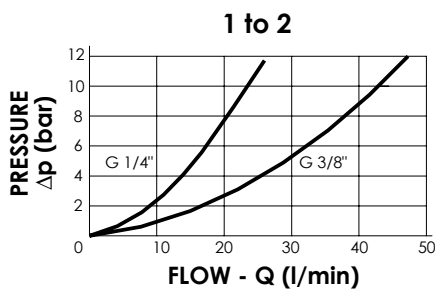
**2 WAYS COMPENSATED
INSERT TYPE**



SPECIFICATIONS

Max. operating pressure: 300 bar

A	B	C	D	E	F	H min	L min	Hex.1	Hex.2	Installation torque:	Max. Flow ② → ①	Max. Flow ① → ②	
G 1/4"	7	12,5	39	10	10,5	33	55	5,5	4,5	6	G1/4"	10	25
G 3/8"	7	13,5	43	11,5	13,5	34	60	7	6	8	G3/8"	25	50
G 1/2"	8	16	49	15	18	40	70	7	6	12	G1/2"	67	90
G 3/4"	10	21	61	20	23	51	80	7	6	15	G3/4"	150	150



For sleeve housing consult Accessories section

ORDERING CODES

G 1/4"		G 3/8"		G 1/2"		G 3/4"	
Quick code	Flow Range Adjustment (l/min)	Quick code	Flow Range Adjustment (l/min)	Quick code	Flow Range Adjustment (l/min)	Quick code	Flow Range Adjustment (l/min)
CF000104	1-1,6	CF000099	2,5-4	CF000093	16-21	CF000096	37-50
CF000105	1,6-2,5	CF000100	4-6,3	CF000094	21-28	CF000097	50-67
CF000106	2,5-4	CF000101	6,3-10	CF000095	28-37	CF000098	67-90
CF000107	4-6,3	CF000102	10-16	CF000081	37-50	CF000083	90-120
CF000108	6,3-10	CF000103	16-25	CF000082	50-67	CF000092	120-150