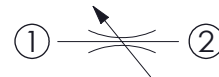
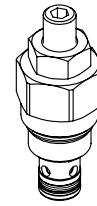
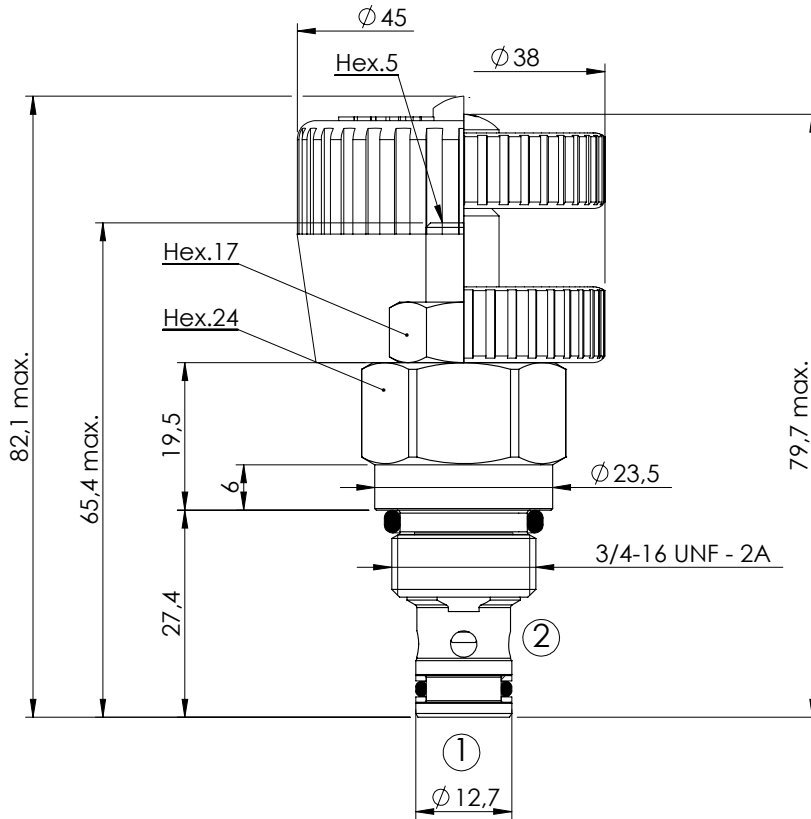


FLOW RESTRICTOR

**CFSN-040-BHRR**

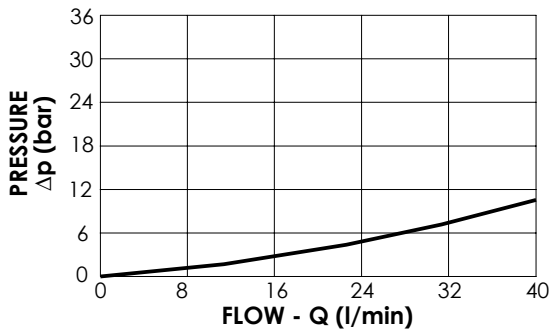


**SPECIFICATIONS**

Max. operating pressure:	350 bar
Rated flow:	40 l/min
Material:	Steel
Cavity:	SAE-08-2N
Weight:	0,12 kg
Seal kit:	RB700081

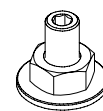
**NOTES**

Installation torque: 45-50 Nm



Fully open  
Both directions

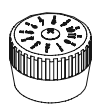
**ADJUSTMENT OPTIONS**



Screw and locknut



Handknob and locknut



Graduated handknob

**ORDERING CODES**

Quick code	Description	Adjustment options
CF000112	CFSN-040-BHRR-NP-S08-N350	Screw and locknut
CF000109	CFSN-040-BVRR-NP-S08-N350	Handknob and locknut
CF000253	CFSN-040-BMRR-NP-S08-N350	Graduated handknob