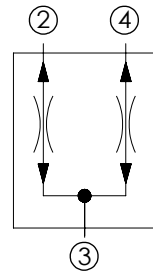
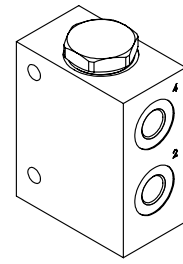
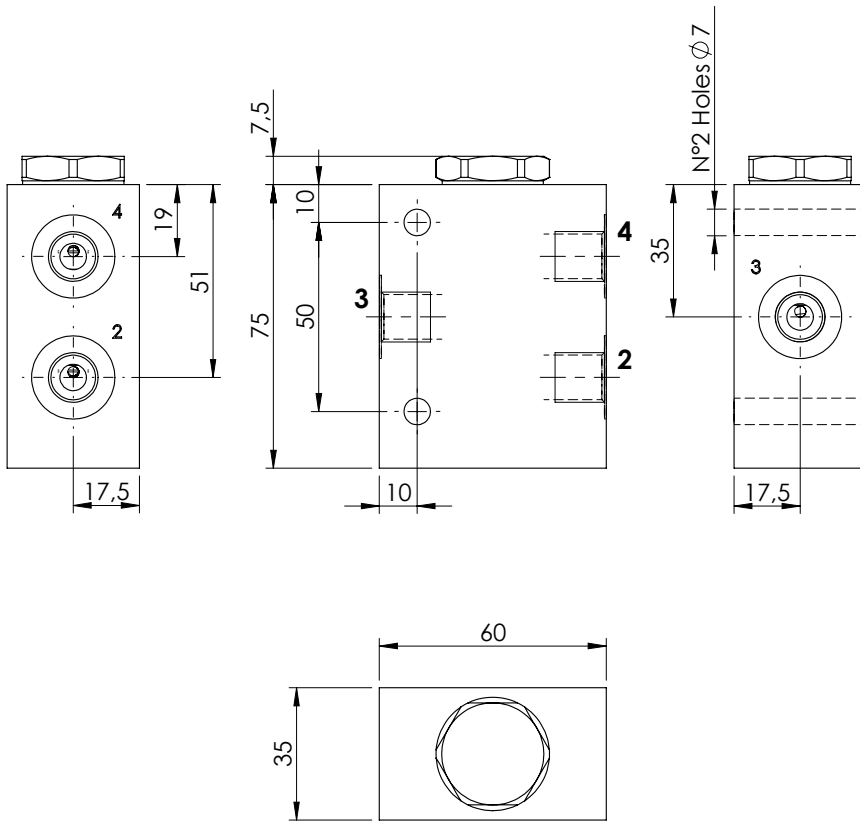


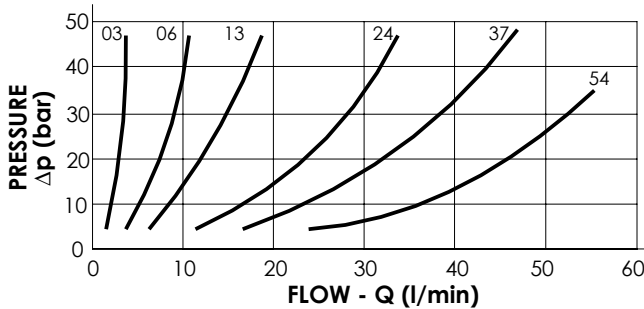
**FLOW DIVIDER AND COMBINER**

**KFDT-055-BFAR**



**SPECIFICATIONS**

Max. operating pressure:	210 bar
Division or combination:	50%-50%
Manifold:	Aluminium
Weight:	0,46 kg
Size:	SAE-10-4N



**NOTES**

Flow divider accuracy:  $\pm 7/8\%$  between 40-100% of max. input flow

**ORDERING CODES**

Quick code	Description	Main ports size	Inlet range Flow (l/min)
KF000005	KFDT-055-BFAR-03-G14-N210-L	2,3,4 : G 1/4"	1.2-3
KF000006	KFDT-055-BFAR-06-G14-N210-L	2,3,4 : G 1/4"	3-6
KF000007	KFDT-055-BFAR-13-G14-N210-L	2,3,4 : G 1/4"	6-13
KF000010	KFDT-055-BFAR-13-G38-N210-L	2,3,4 : G 3/8"	6-13
KF000011	KFDT-055-BFAR-24-G38-N210-L	2,3,4 : G 3/8"	10-24
KF000012	KFDT-055-BFAR-37-G38-N210-L	2,3,4 : G 3/8"	15-37
KF000009	KFDT-055-BFAR-37-G12-N210-L	2,3,4 : G 1/2"	15-37
KF000008	KFDT-055-BFAR-44-G12-N210-L	2,3,4 : G 1/2"	18-44
KF000004	KFDT-055-BFAR-54-G12-N210-L	2,3,4 : G 1/2"	22-54