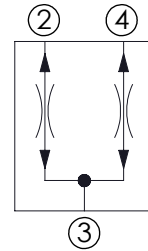
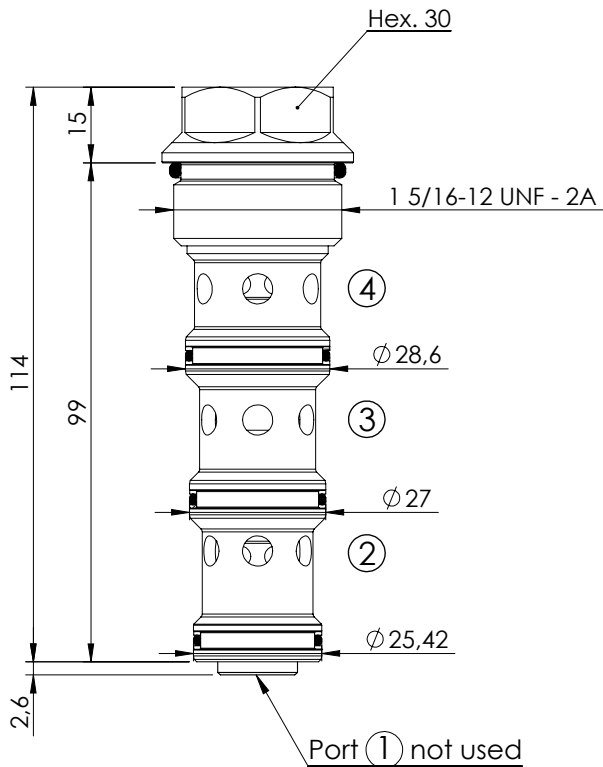


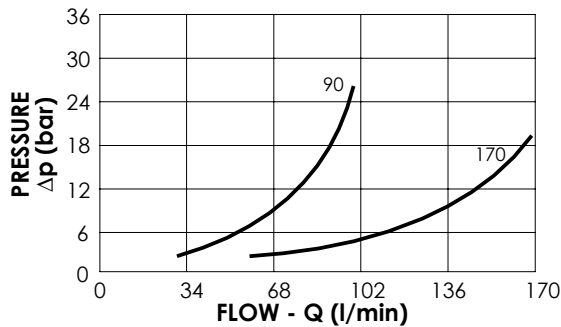
FLOW DIVIDER AND COMBINER

**CFDT-160-BFRR**



**SPECIFICATIONS**

Max. operating pressure:	350 bar
Division or combination:	50%-50%
Cavity:	SAE-16-4N
Weight:	0,36 kg
Installation torque:	118 - 132 Nm



**NOTES**

- Seal kit: **RB700104**
- Flow divider accuracy:  $\pm 7/8\%$  between 40-100% of max. input flow
- Other dividing ratios available.

**ORDERING CODES**

Quick code	Description	Inlet range Flow (l/min)	
CF000364	CFDT-160-BFRR-90-S16-N350	30 - 90	
CF000370	CFDT-160-BFRR-170-S16-N350	50 - 170	