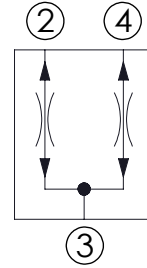
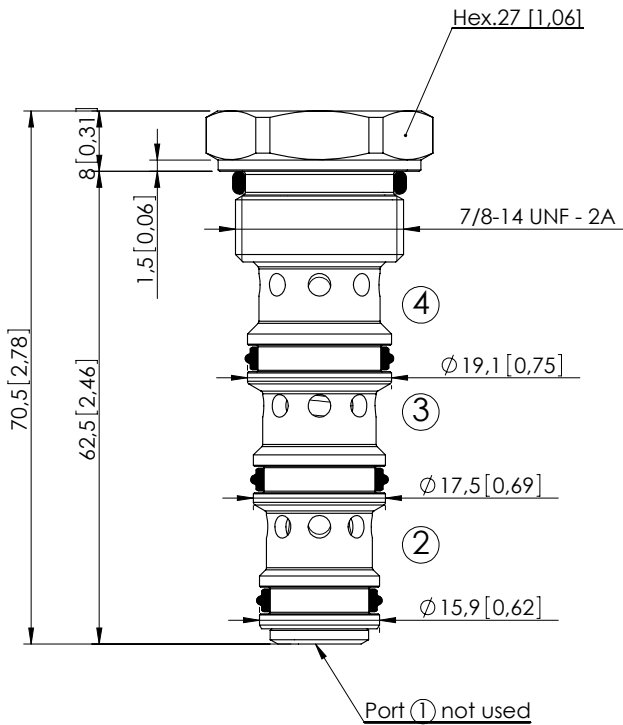


CFDT-055-BFAR



SPECIFICATIONS

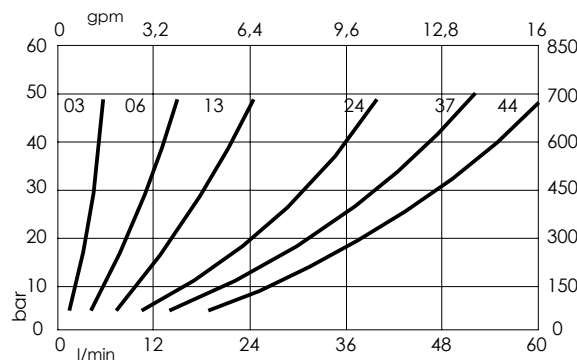
Max. operating pressure:	350 bar (5000 psi)
Division or combination:	50 %- 50 %
Cavity:	SAE-10-4N-3P
Weight:	0,13 kg (0,29 lbs)
Seal kit:	RB700102
Installation torque:	50 - 57 Nm (37 - 42 ft-lb)
Contamination class to ISO 4406:	See technical spec.
MTF _d :	150 years

Dimensions: mm [inches]

NOTES

Flow divider accuracy: $\pm 7/8\%$ between 40-100% of max. input flow.
Other dividing ratios available.

CURVES



ORDERING CODES

Quick code	Description	Inlet range flow
CF000047	CFDT-055-BFRR-03-S10-N350	1,2-3 l/min (0,3-0,8 gpm)
CF000048	CFDT-055-BFRR-06-S10-N350	3-6 l/min (0,8-1,6 gpm)
CF000049	CFDT-055-BFRR-13-S10-N350	6-13 l/min (1,6-3,4 gpm)
CF000050	CFDT-055-BFRR-24-S10-N350	10-24 l/min (2,6-6,3 gpm)
CF000001	CFDT-055-BFRR-37-S10-N350	15-37 l/min (3,9-9,8 gpm)
CF000051	CFDT-055-BFRR-44-S10-N350	18-44 l/min (4,8-11,6 gpm)