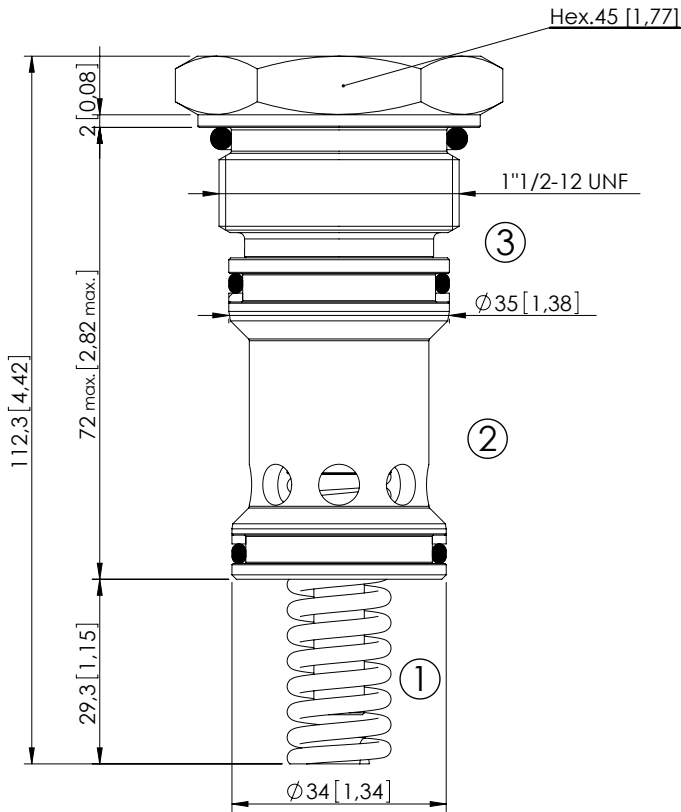
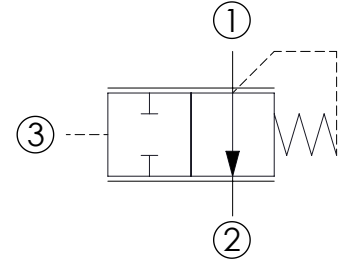


CDLN-380-SBPE

NORMALLY OPEN
SPOOL TYPE



Dimensions: mm [inches]



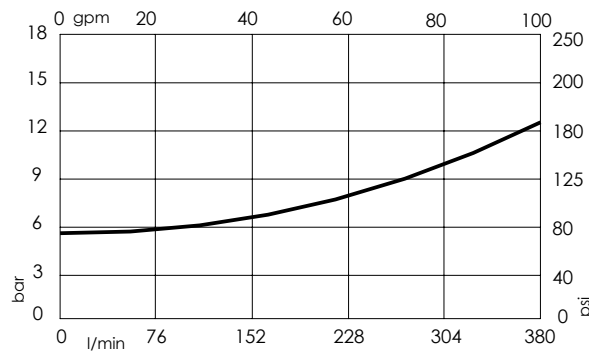
SPECIFICATIONS

Max. operating pressure:	350 bar (5000 psi)
Rated flow:	380 l/min (100 gpm)
Cavity:	VP000330
Weight:	0,57 kg (1,25 lbs)
Spool:	$\phi 22$ mm [0,87]
Installation torque:	280 - 300 Nm (207 - 221 ft-lb)
Seal kit:	RC700330
Contamination class to ISO 4406:	See technical spec.
MTTF _a :	150 years

NOTES

Parts in body compensator

CURVES



ORDERING CODES

Quick code	Description	Closing pressure
CD000189	CDLN-380-SBPE-01-330-N005	5,5 bar (75 psi)