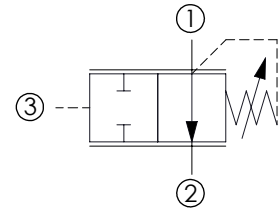
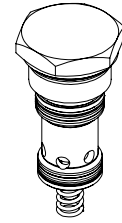
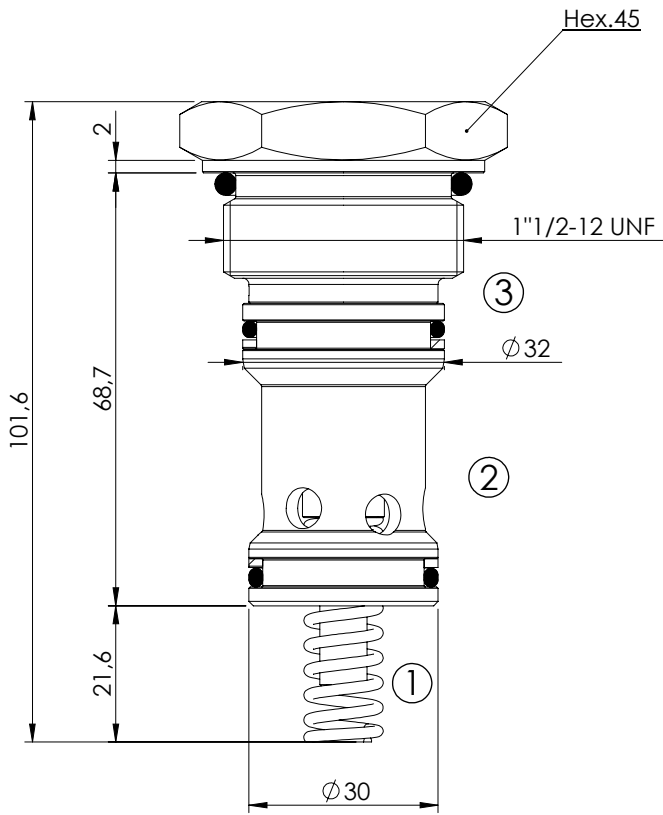


LOGIC ELEMENT

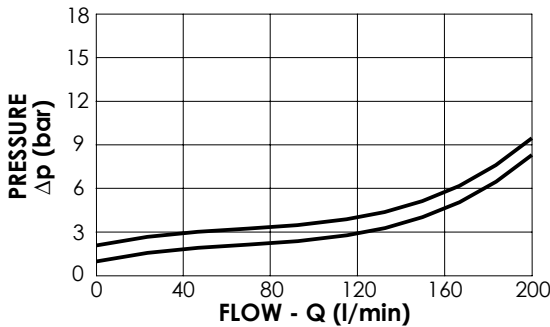
CDLN-200-SBPE

**NORMALLY OPEN
SPOOL TYPE**



SPECIFICATIONS

Max. operating pressure:	350 bar
Rated flow:	200 l/min
Cavity:	VP000204
Weight:	0,50 kg
Spool:	Ø19 mm



NOTES

Installation torque:	280 - 300 Nm
Seal kit:	RC700204
Parts in body compensator	

ORDERING CODES

Quick code	Description	Closing pressure (bar)	
CD000080	CDLN-200-SBPE-01-204-N001	1	
CD000286	CDLN-200-SBPE-01-204-N002	2	