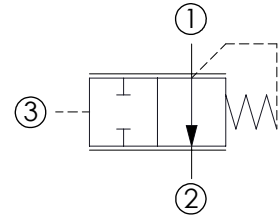
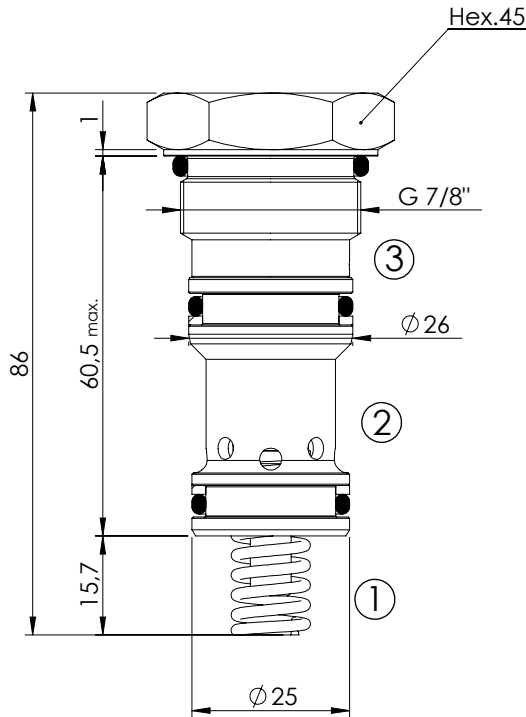
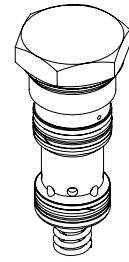


LOGIC ELEMENT

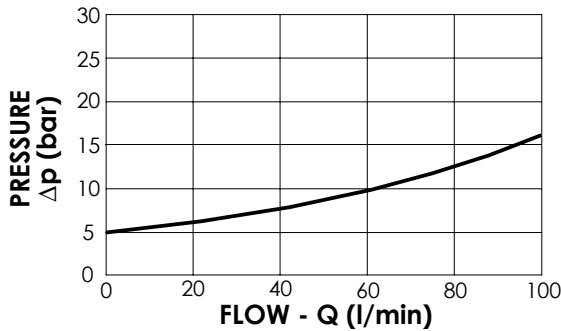
**CDLN-100-SBPE**

**NORMALLY OPEN  
SPOOL TYPE**



**SPECIFICATIONS**

|                          |           |
|--------------------------|-----------|
| Max. operating pressure: | 350 bar   |
| Rated flow:              | 100 l/min |
| Cavity:                  | VP000555  |
| Weight:                  | 0,27 kg   |
| Spool:                   | Ø16 mm    |



**NOTES**

|                           |            |
|---------------------------|------------|
| Installation torque:      | 135-145 Nm |
| Seal kit:                 | RC700330   |
| Parts in body compensator |            |

**ORDERING CODES**

| Quick code | Description               | Closing pressure (bar) |  |
|------------|---------------------------|------------------------|--|
| CD000115   | CDLN-100-SBPE-01-555-N005 | 5                      |  |
|            |                           |                        |  |
|            |                           |                        |  |
|            |                           |                        |  |
|            |                           |                        |  |