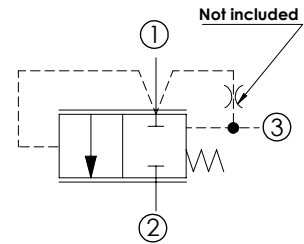
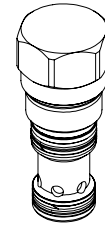
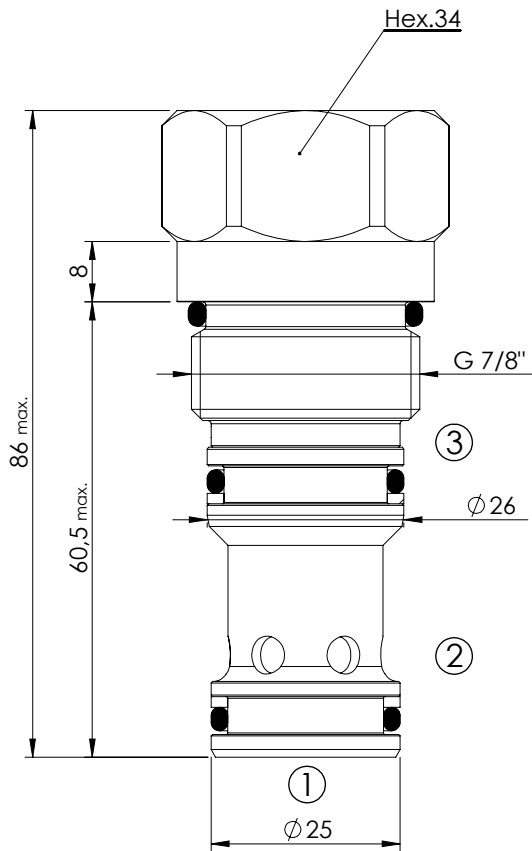


LOGIC ELEMENT

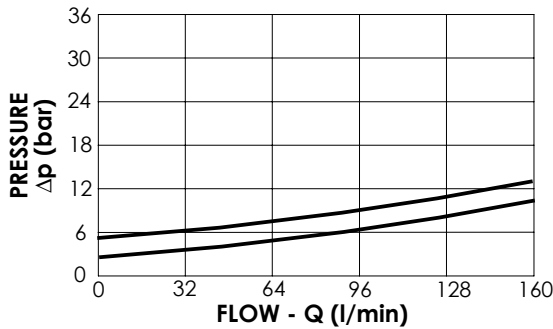
# CDLN-160-SCTD

NORMALLY CLOSED  
SPOOL TYPE  
INTERNAL ORIFICE



## SPECIFICATIONS

Max. operating pressure:	350 bar
Rated flow:	160 l/min
Cavity:	VP000065
Weight:	0,32 kg
Spool:	Ø16 mm
Internal orifice:	M6 thread



## NOTES

Installation torque:	135-145 Nm
Seal kit:	RC900065
Parts in body compensator	

## ORDERING CODES

Quick code	Description	Cracking pressure (bar)	
CD000081	CDLN-160-SCTD-13-065-N002	2	
CD000066	CDLN-160-SCTD-13-065-N006	6	
CD000003	CDLN-160-SCTD-13-065-N012	12	
CD000004	CDLN-160-SCTD-13-065-N016	16	