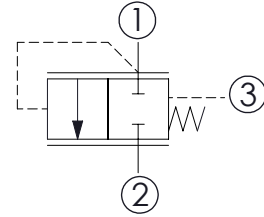
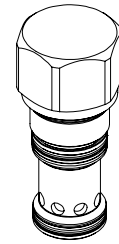
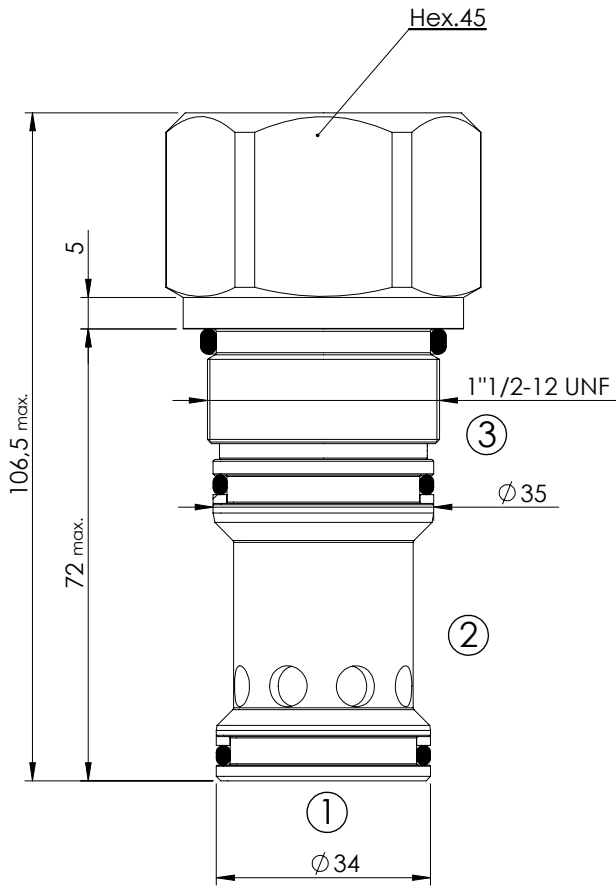


LOGIC ELEMENT

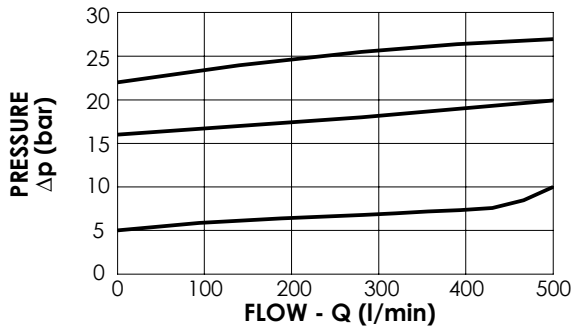
**CDLN-500-SCTC**

**NORMALLY CLOSED  
SPOOL TYPE**



**SPECIFICATIONS**

Max. operating pressure:	350 bar
Rated flow:	500 l/min
Cavity:	VP000178
Weight:	0,75 kg
Spool:	Ø22 mm



**NOTES**

Installation torque:	280-300 Nm
Seal kit:	RC700178
Parts in body compensator	

**ORDERING CODES**

Quick code	Description	Cracking pressure (bar)	
CD000053	CDLN-500-SCTC-14-178-N005	5	
CD000255	CDLN-500-SCTC-14-178-N017	17	
CD000308	CDLN-500-SCTC-14-178-N023	23	