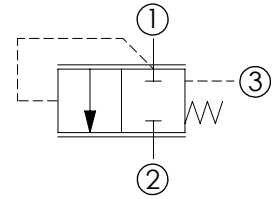
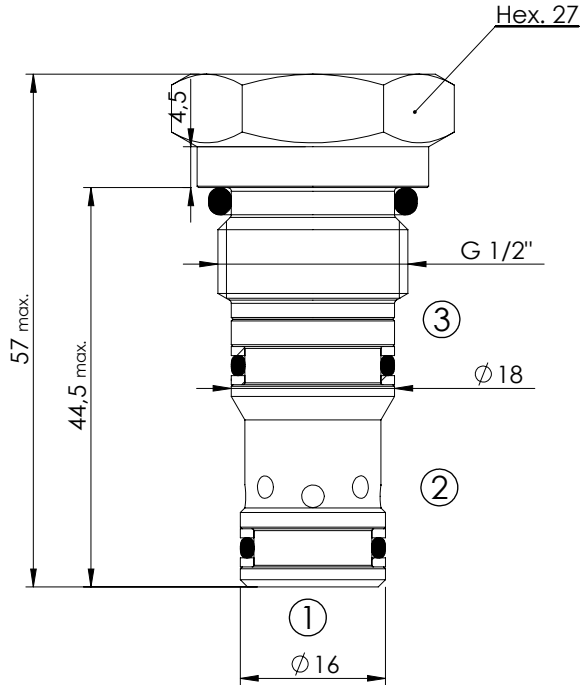
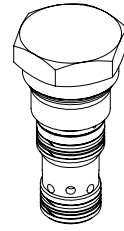


LOGIC ELEMENT

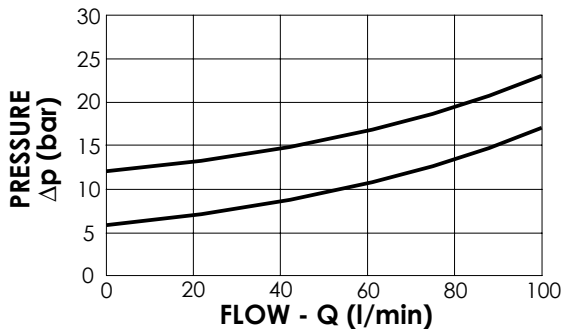
CDLN-100-SCPC

NORMALLY CLOSED
SPOOL TYPE



SPECIFICATIONS

Max. operating pressure:	350 bar
Rated flow:	100 l/min
Cavity:	VP000198
Weight:	0,12 kg
Spool:	Ø10 mm



NOTES

Installation torque:	75 - 85 Nm
Seal kit:	RD700198
Parts in body compensator	

ORDERING CODES

Quick code	Description	Cracking pressure (bar)	
CD000073	CDLN-100-SCPC-14-198-N006	6	
CD000103	CDLN-100-SCPC-14-198-N012	12	