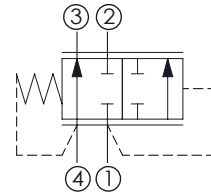
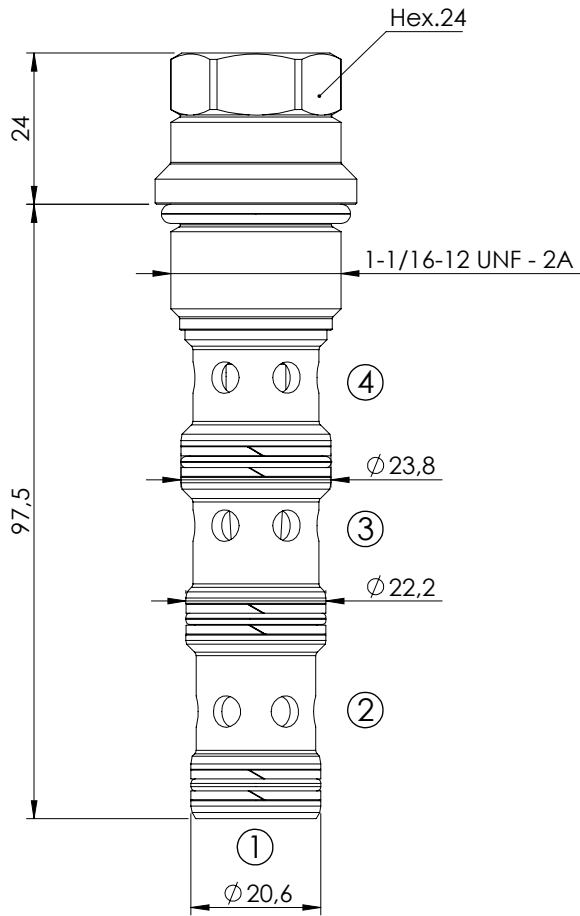


LOGIC ELEMENTS

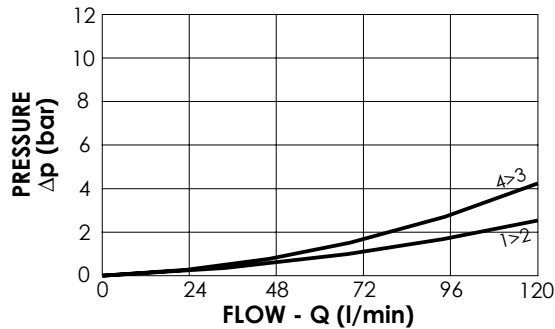
CDLN-120-CDPB

DIREC ACTING
SPOOL TYPE



SPECIFICATIONS

| | |
|--------------------------|-----------|
| Max. operating pressure: | 350 bar |
| Rated flow: | 120 l/min |
| Cavity: | SAE-12-4N |
| Weight: | 0,31 kg |



NOTES

| | |
|----------------------|--------------|
| Installation torque: | 110 - 120 Nm |
| Seal kit: | RB700103 |

ORDERING CODES

| Quick code | Description | Cracking pressure (bar) | |
|------------|---------------------------|-------------------------|--|
| CD000336 | CDLN-120-CDPB-FH-S12-N010 | 10 | |
| | | | |
| | | | |
| | | | |
| | | | |
| | | | |