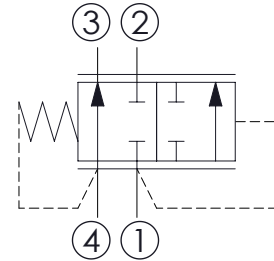
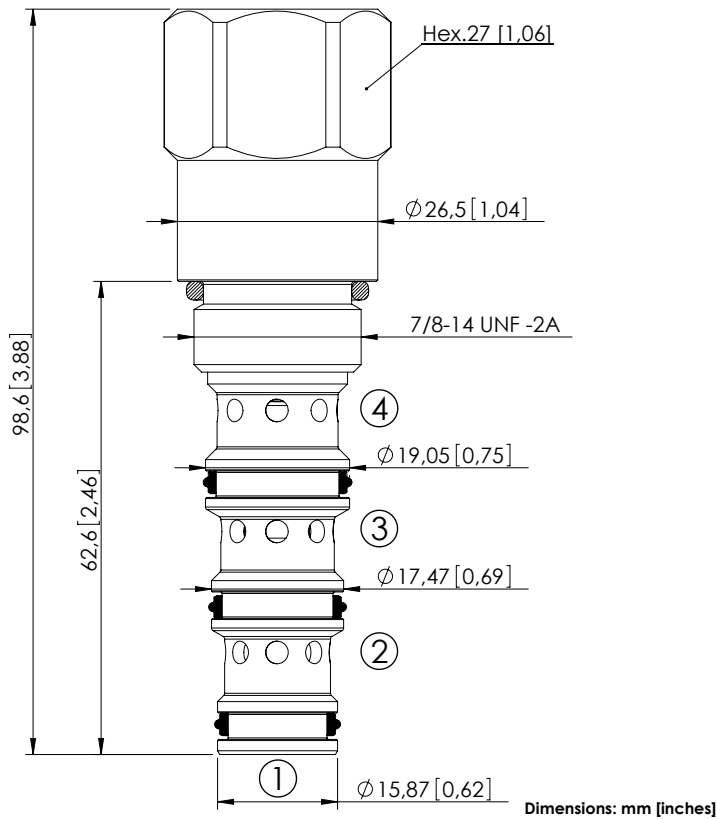


CDLN-040-CDPB

DIRECT ACTING
SPOOL TYPE

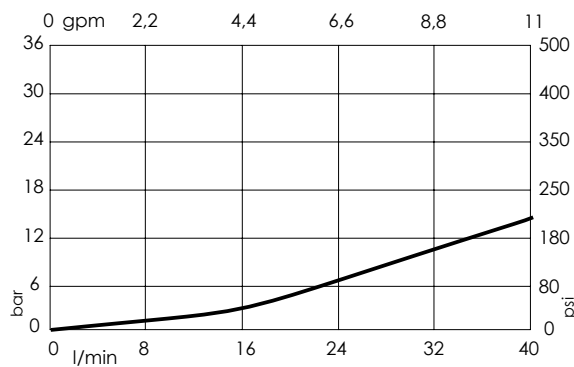


SPECIFICATIONS

| | |
|----------------------------------|--|
| Max. operating pressure: | 350 bar (5000 psi) |
| Rated flow: | 40 l/min (11 gpm) |
| Cavity: | SAE-10-4N |
| Weight: | 0,23 kg (0,51 lbs) |
| Installation torque: | 55 - 62 Nm (41 - 46 ft-lb) |
| Seal kit: | RB700102 |
| Internal leakage: | 50 cc/min 3,05 in ³ /min |
| Contamination class to ISO 4406: | See technical spec. |
| MTTF _a : | 150 years |

NOTES

CURVES



ORDERING CODES

| Quick code | Description | Cracking pressure |
|------------|---------------------------|---|
| CD000295 | CDLN-040-CDPB-FH-S10-N005 | 5 bar $\pm 0,5$ (75 psi ± 10) |
| CD000296 | CDLN-040-CDPB-FH-S10-N011 | 11,5 bar $\pm 0,5$ (170 psi ± 15) |
| | | |
| | | |
| | | |