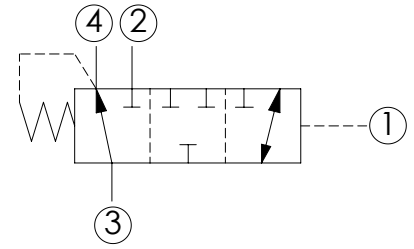
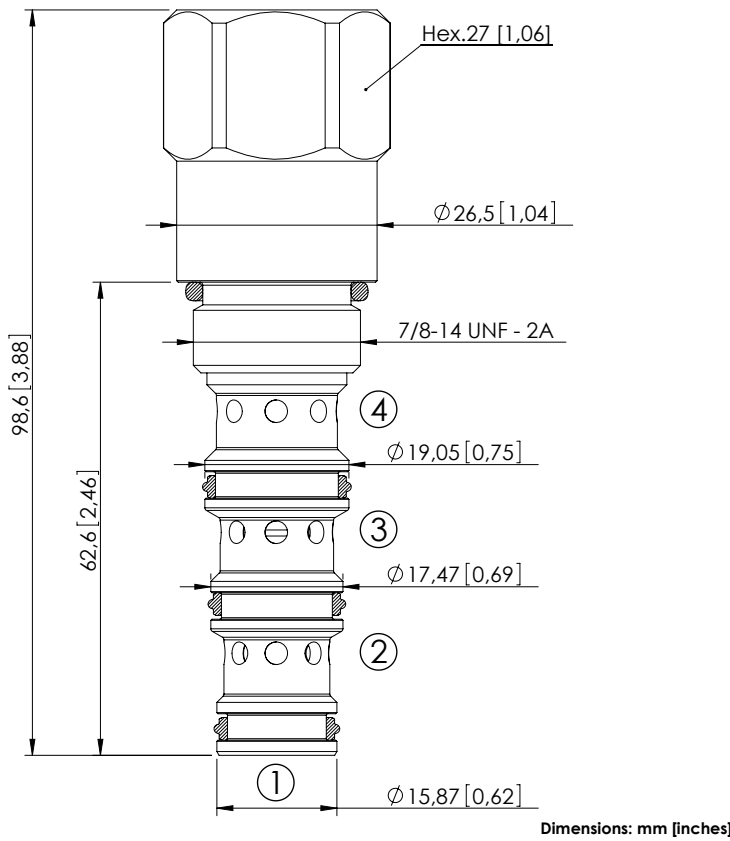


CDLN-040-CDTK

DIRECT ACTING
SPOOL TYPE

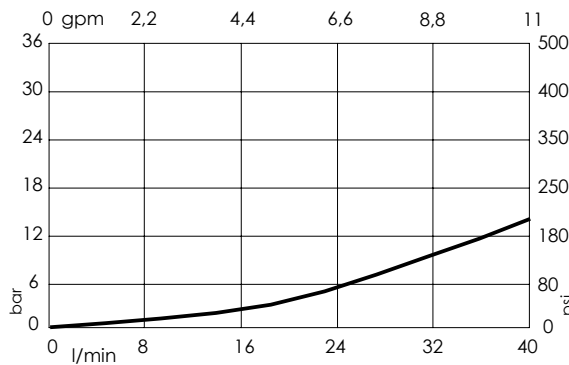


SPECIFICATIONS

Max. operating pressure:	350 bar (5000 psi)
Rated flow:	40 l/min (11 gpm)
Cavity:	SAE-10-4N
Weight:	0,23 kg (0,51 lbs)
Installation torque:	55-62 Nm (41-46 ft-lb)
Seal kit:	RB700102
Internal leakage:	50 cc/min 3,05 in ³ /min
Contamination class to ISO 4406:	See technical spec.
MTTF _a :	150 years

NOTES

CURVES



ORDERING CODES

Quick code	Description	Cracking pressure
CD000300	CDLN-040-CDTK-FN-S10-N003	3 bar ±1 (50 psi ±15)
CD000487	CDLN-040-CDTK-FN-S10-N005	5 bar ±1 (75 psi ±15)
CD000260	CDLN-040-CDTK-FN-S10-N011	11 bar ±1 (150 psi ±15)