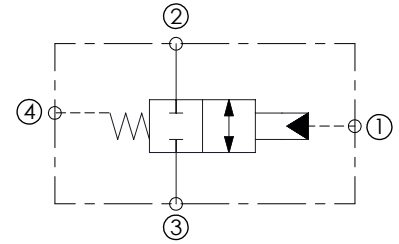
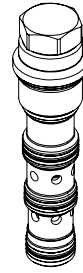
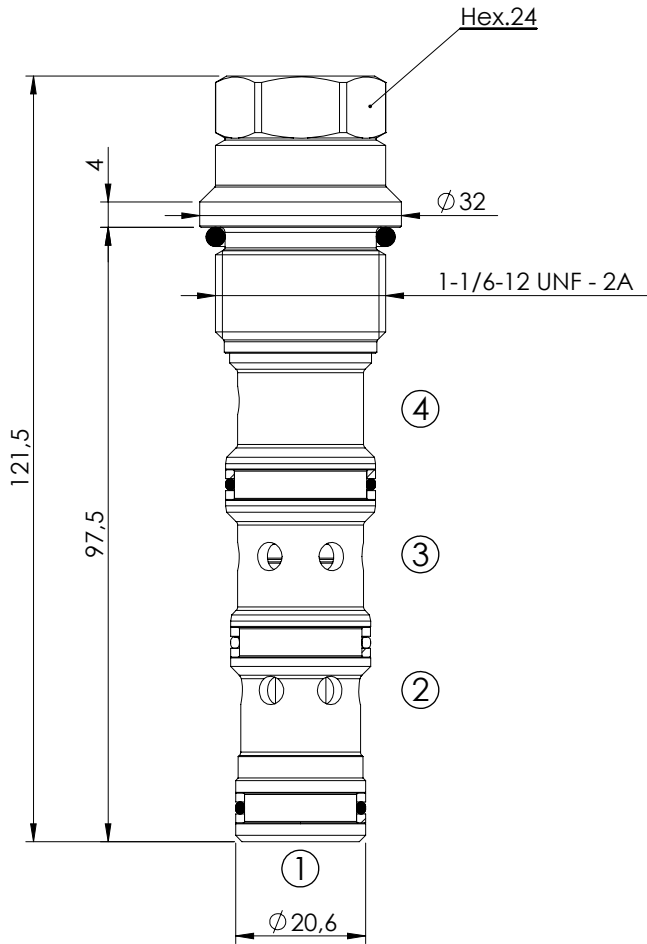


LOGIC ELEMENTS

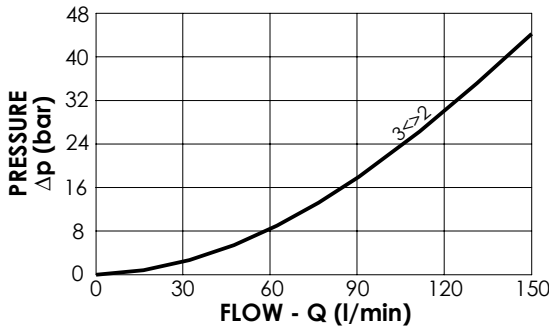
**CDLC-150-CCTB**

**DIRECT ACTING  
SPOOL TYPE**



**SPECIFICATIONS**

Max. operating pressure:	450 bar
Rated flow:	150 l/min
Cavity:	SAE-12-4N
Weight:	0,33 kg



**NOTES**

Installation torque:	110 - 120 Nm
Seal kit:	RB700103

**ORDERING CODES**

Quick code	Description	Cracking pressure (bar)	
CD000105	CDLC-150-CCTB-FN-S12-N007	7,5 (0/+2)	