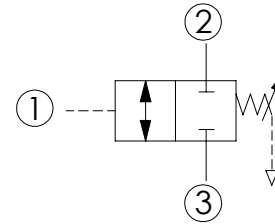
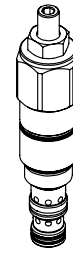
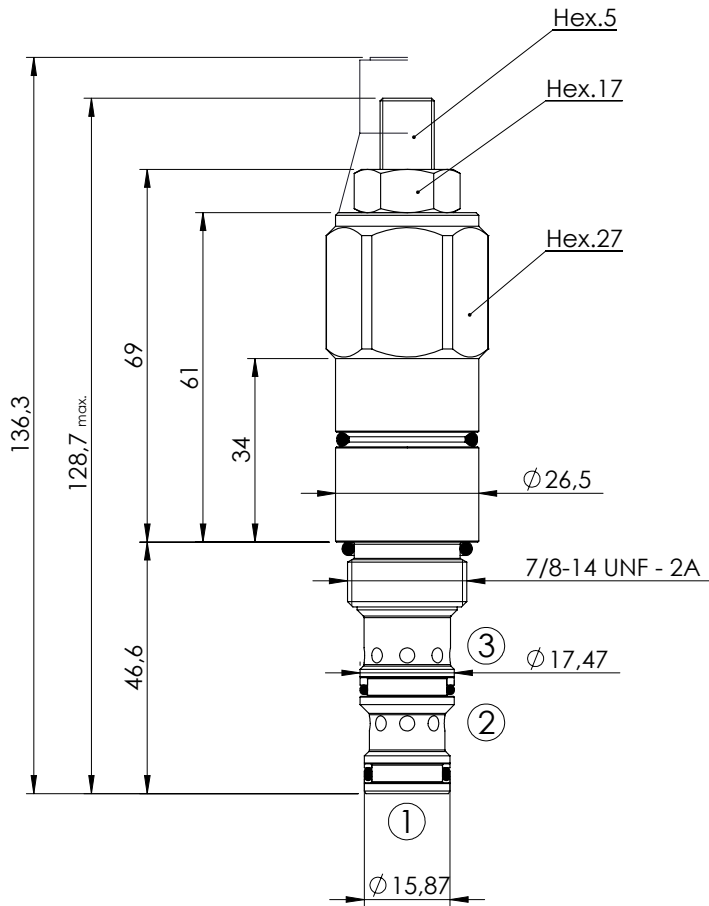


LOGIC ELEMENT

CDLN-040-CCVC SPOOL TYPE - VENTED
EXTERNAL PILOT



SPECIFICATIONS

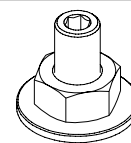
Max. operating pressure:	350 bar
Rated flow:	40 l/min
Cavity:	SAE-10-3N
Weight:	0,33 kg
Installation torque:	60 - 75 Nm
Seal kit:	RB700092

SEALING CAP

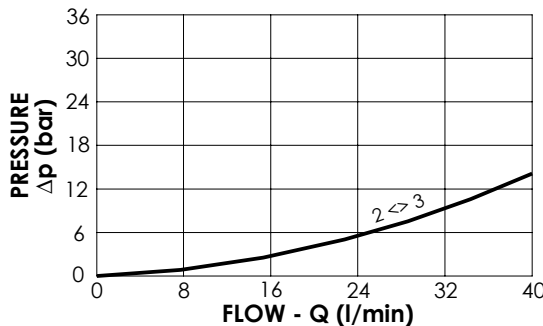
Ordering code:
AT000022



OPTIONS



Adjustment
with Screw



ORDERING CODES

Quick code	Description	Standard setting (bar, Q=5 l/min)	Adjust. range (bar)	Pressure increase (bar/turn)	Options
CD000119	CDLN-040-CCVC-HN-S10-N180	120	20-180	22	Adjustment with Screw
CD000120	CDLN-040-CCVC-HN-S10-N100	50	10-100	10	Adjustment with Screw