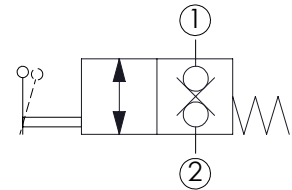
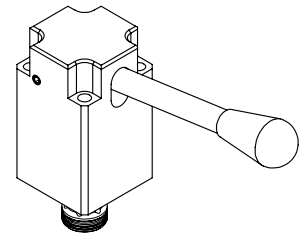
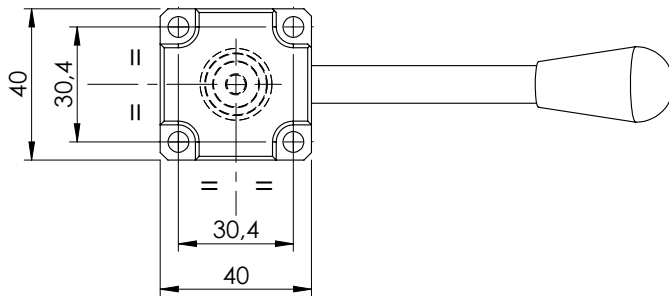
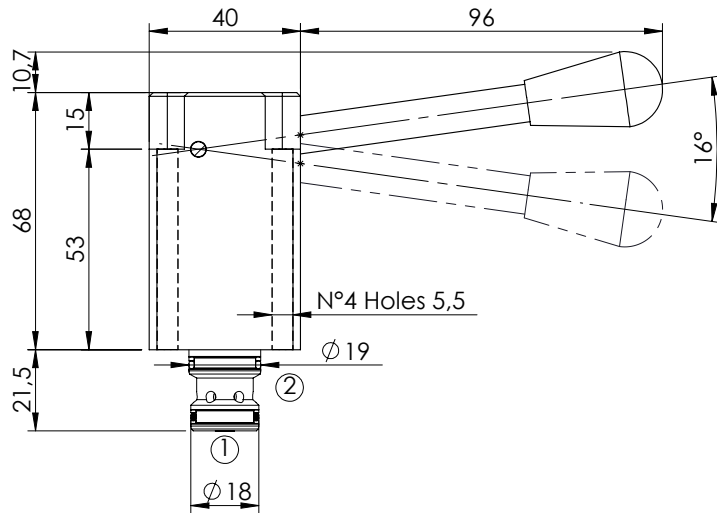


CARTRIDGE SEAT VALVE

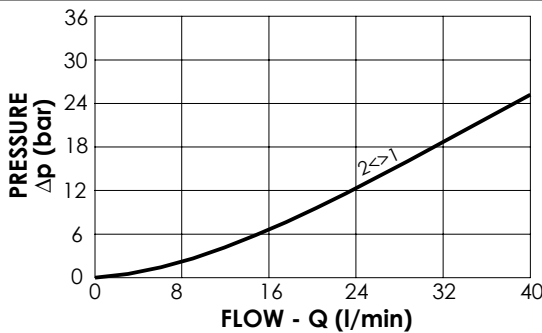
CDML-040-LBVD

**BIDIRECTIONAL SEAT-VALVE SHUT-OFF
DIRECT ACTING
MANUALLY OPERATED**



SPECIFICATIONS

Max. operating pressure:	350 bar
Rated flow:	40 l/min
Manifold:	Steel
Weight:	0,8 kg
Seal kit:	RD700338



NOTES

To be mounted with M5 x 60 bolt
Installation torque: 5 Nm

ORDERING CODES

Quick code	Description	Cavity	
CD000234	CDML-040-LBVD-00-338-N350	VP000338	