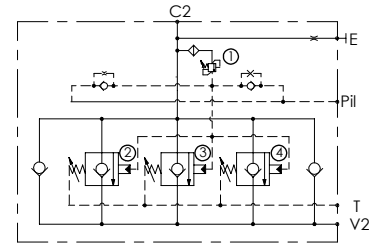
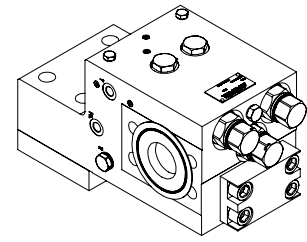
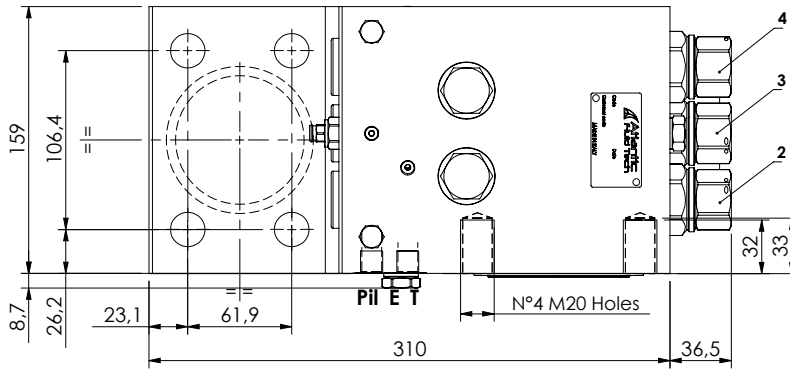
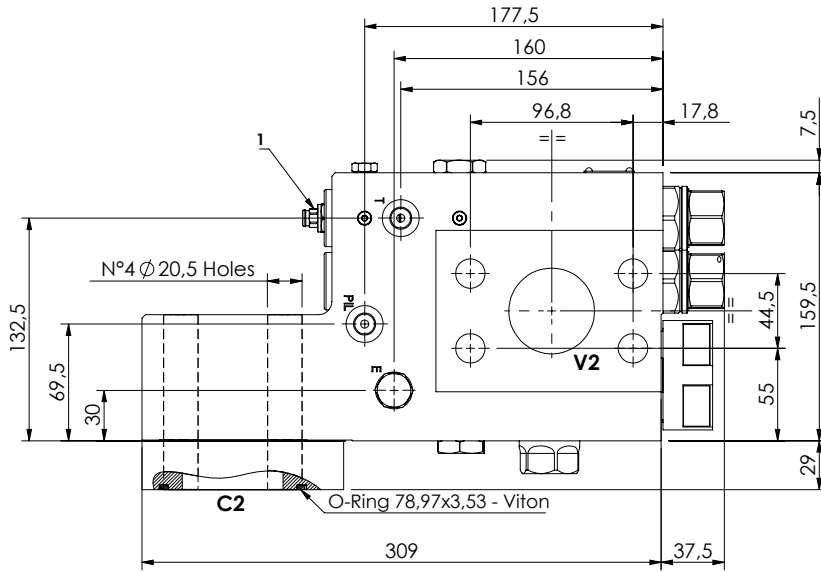


CHECK AND METERING VALVE

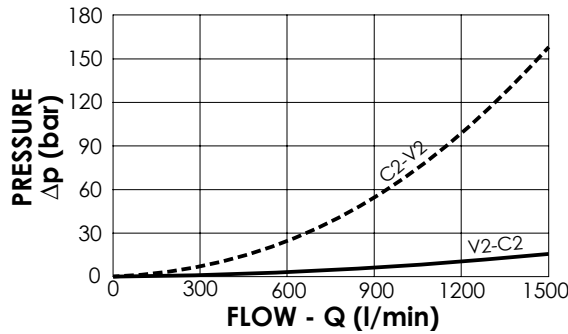
MLST-1500-AAGR

FLANGED TYPE
3" SAE 3000 / 2" SAE 6000
RIGHT VERSION



SPECIFICATIONS

Max. operating pressure:	420 bar
Rated flow:	1500 l/min
Manifold:	Steel
Weight:	47,16 kg



NOTES

When correctly adjusted for the special excavator installation, these valves meet the requirement of ISO 8643

ORDERING CODES

Quick code	Description	Main ports size	Standard setting (bar)	Adjust. range (bar)	Pressure increase (bar/turn)
ML000164	MLST-1500-AAGR-00-S30-N420	V2:2" SAE 6000 C2:3" SAE 3000 E,Pil,T:G 1/4"	① 400 Q=5 l/min ② ④ 8.5 Crack. pr. ③ 7.5 Crack. pr.	① 150-420 ② ③ ④ 3-15	① 236 ② ③ ④ 3.4